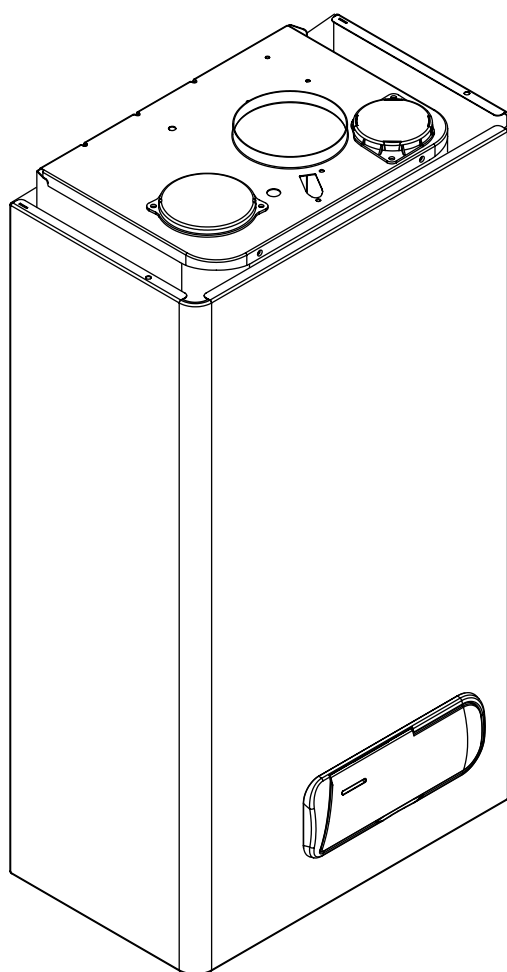
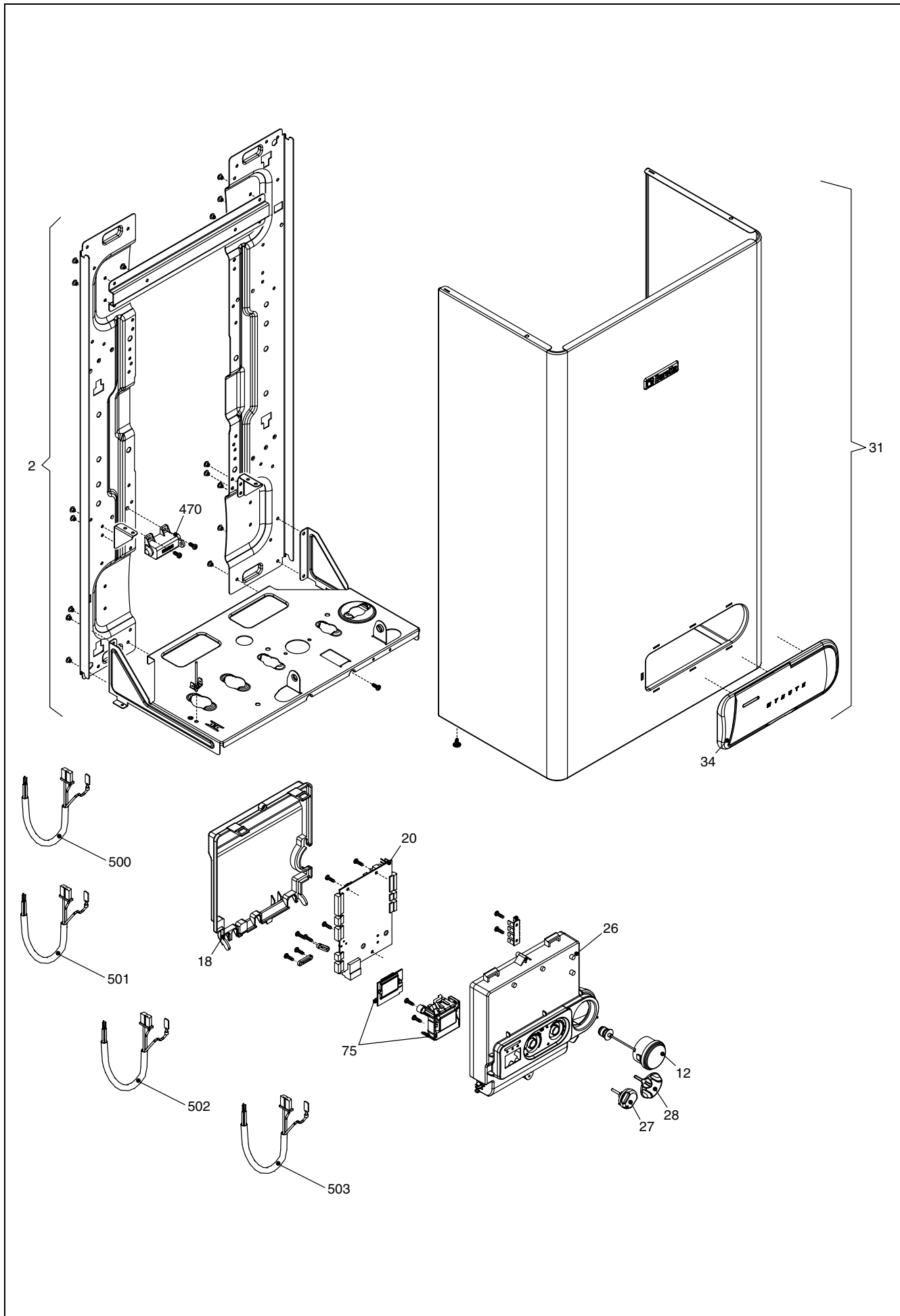


**Wall hung boilers**

**Mynute J CSI/RSI**

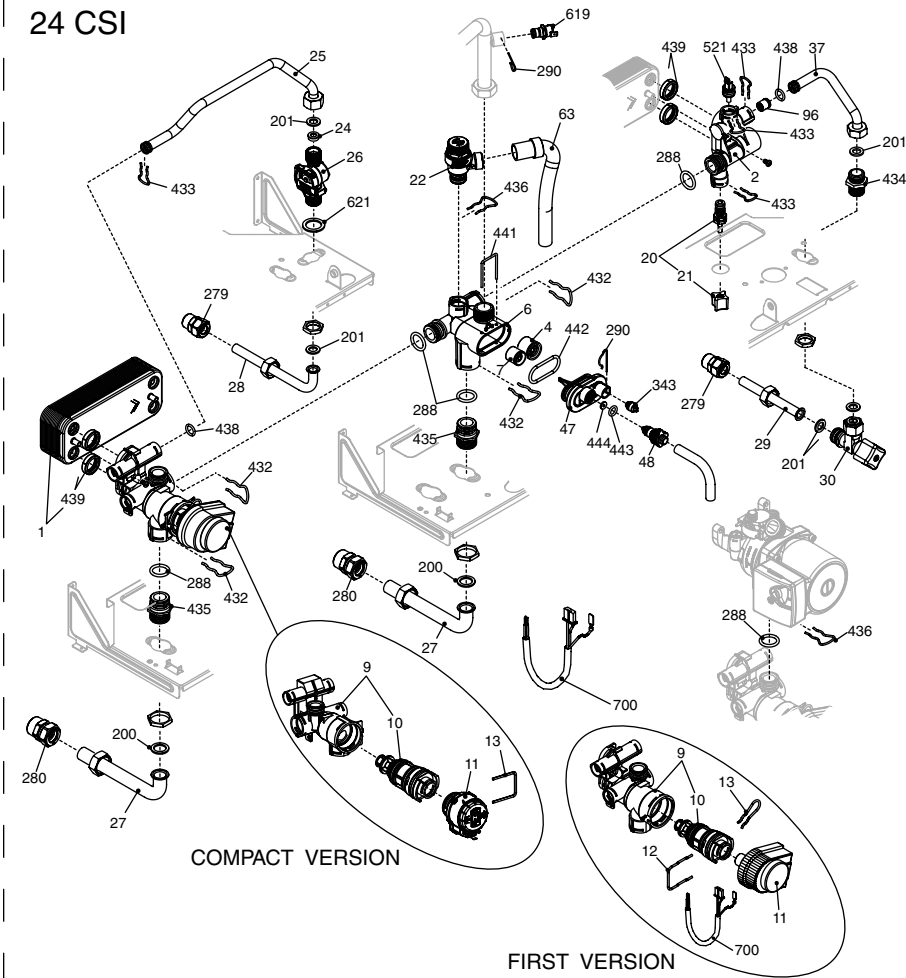


MODEL	PART NUMBER	
	MTN	GPL
<b>Mynute J 24 CSI</b>	<b>20017329 (F8F)</b>	<b>20017330 (F9F)</b>
<b>Mynute J 24 RSI</b>	<b>20017331 (F1G)</b>	<b>20017332 (F2G)</b>

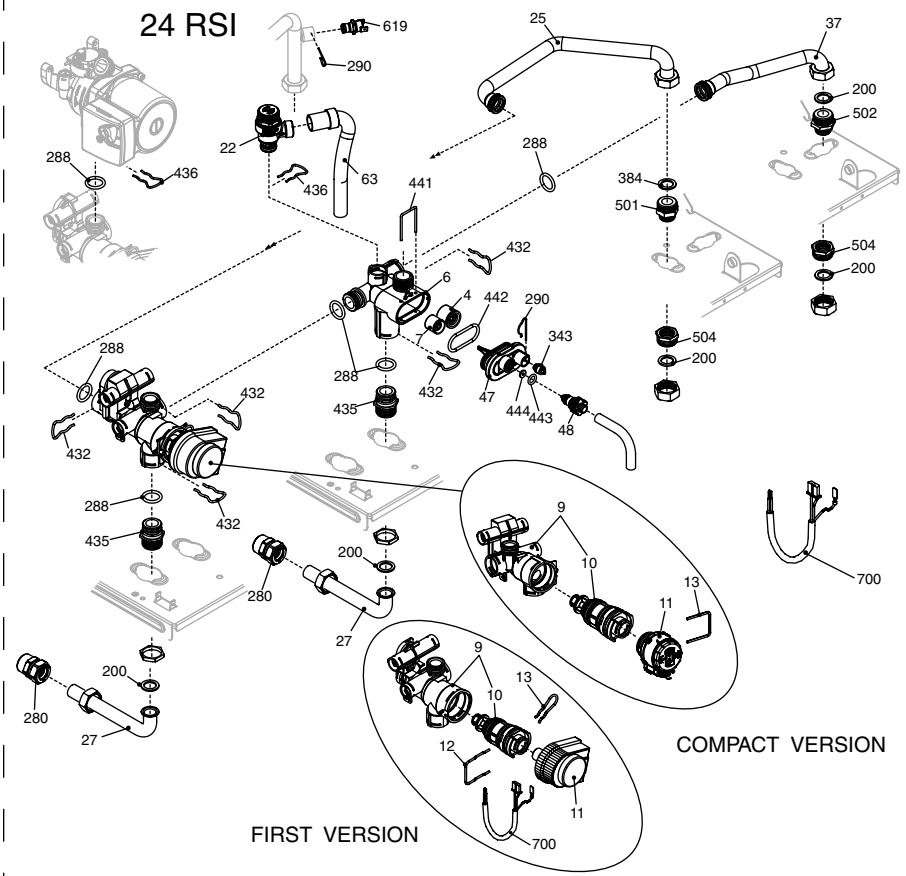


POS.	DESCRIPTION	24csi	24rsi
2	Frame assembly	20049618	20049618
12	Quick primer pressure gauge	20005580	20005580
18	Cover	20005574	20005574
20	Printed circuit board	20011424	20011424
26	Instrumental panel	20011427	20015779
27	Knob	20005579	20005579
28	Knob	20005575	-
31	Case Assembly	20017860	20017860
34	Fixing flange	20014344	20014344
75	Printed circuit board kit	20011443	20011443
470	Ignition transformer TR6	R10026031	R10026031
500	Power wiring harness	20005572	20005572
501	Cable	R1547	R1547
502	Wiring harness	20011449	20011449
503	Low tension cable	20013966	20012544

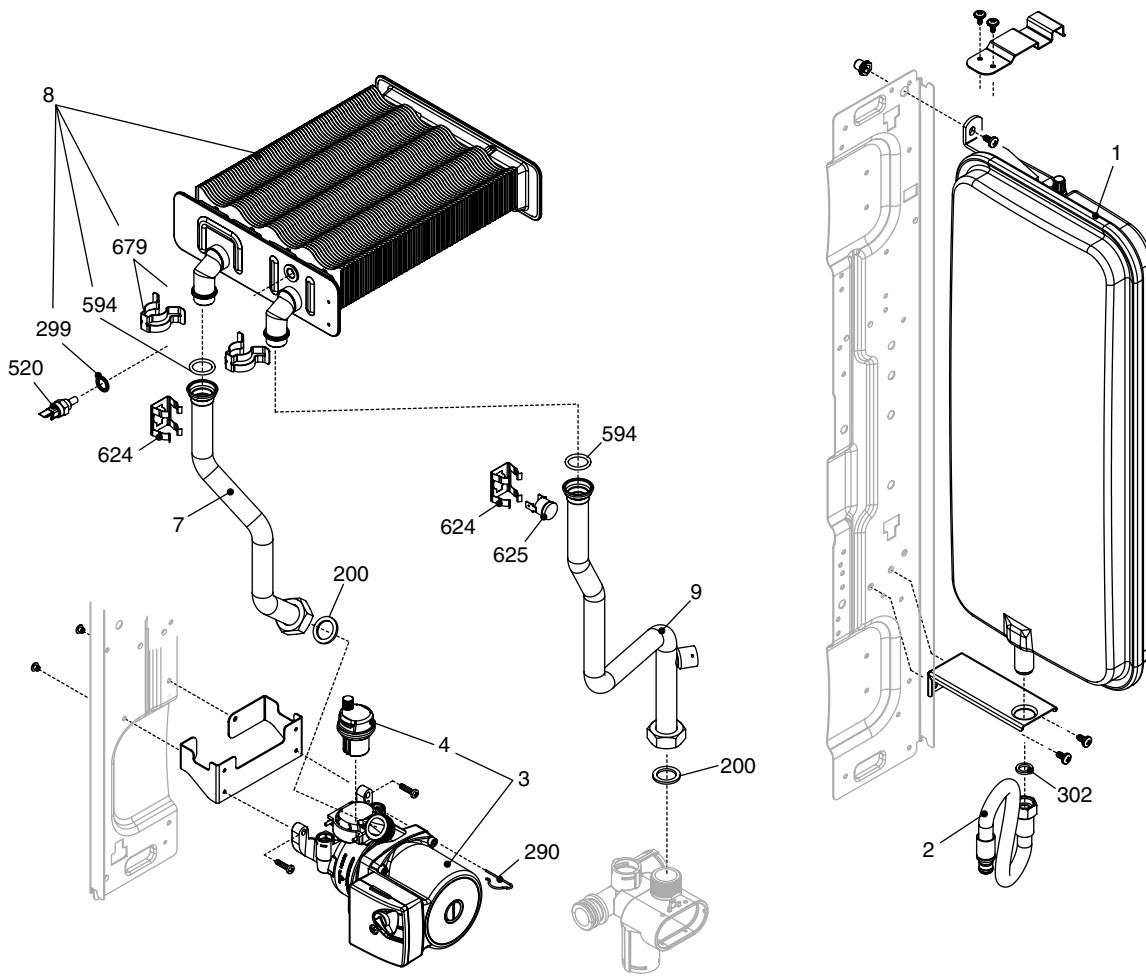
24 CSI



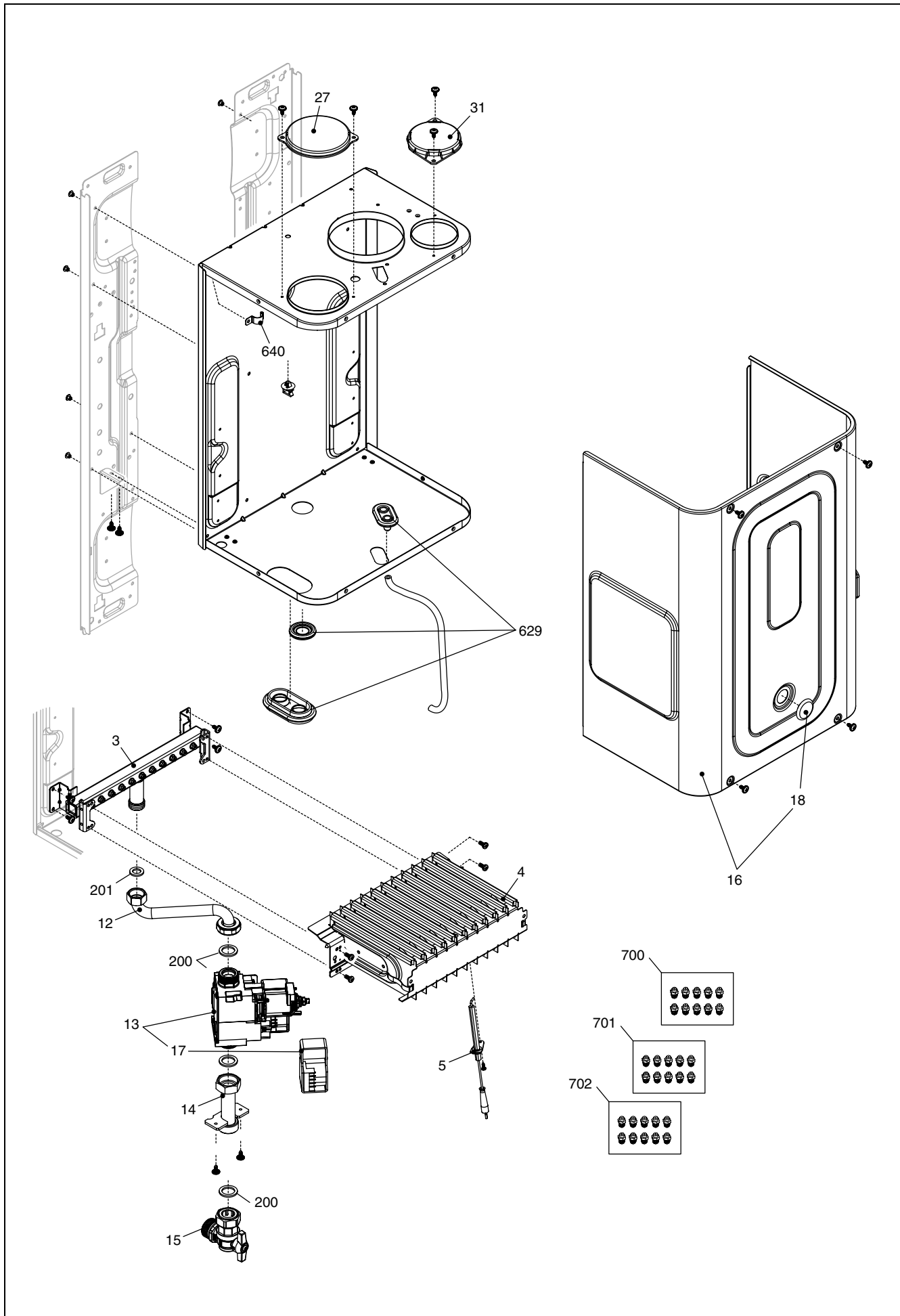
24 RSI



POS.	DESCRIPTION	24csi	24rsi
1	Exchanger	R8037	-
2	Fitting/union	R10026151	-
4	Non return valve	R10025056	R10025056
6	By-pass casing	R10024641	R10024641
7	By-pass valve	R2047	R2047
9	3-way heating manifold and cartridge (first version)	R10026508	R10027343
9	3-way heating manifold and cartridge (compact version)	20021496	20024204
10	3 way valve cartridge (first version)	R10025305	R10025305
10	3 way valve cartridge (compact version)	20043594	20043594
11	Actuator (first version)	R10025304	R10025304
11	Actuator (compact version)	20017594	20017594
12	Clip	R10025450	R10025450
13	Clip (first version)	R10025449	R10025449
13	Clip (compact version)	20017598	20017598
20	Filling cock	R10025060	-
21	Knob	R6889	-
22	Safety valve	20043820	20043820
24	Flow governor	R10024987	-
25	Pipe	20011423	20012543
26	Dhw actuator	20013968	-
27	Pipe	20012328	20012328
28	Pipe	20012329	-
29	Pipe	20012330	-
30	Water supply stop cock	R1888	-
37	Pipe	R10025840	20012542
47	Cover for by-pass assembly	R10024643	R10024643
48	Cock	R10024646	R10024646
63	Pipe	R10025058	R10025058
96	Non return valve	R10021625	-
200	Washer	R5023	R5023
201	Washer	R5026	-
279	Connection	R10025089	-
280	Connection	R10025090	R10025090
288	Ring	R6898	R6898
290	Clip	R2165	R2165
343	Pump plug	R2216	R2216
432	Clip	R10024958	R10024958
433	Clip	R10024986	-
434	Nipple	R10024985	-
435	Fitting/union	R10025059	R10025059
436	Clip	R10025062	R10025062
438	O ring	R10024988	-
439	Washer	R10025067	-
441	Clip	R10025063	R10025063
442	O ring	R10025065	R10025065
443	O ring	R10025064	R10025064
444	Washer	R10025066	R10025066
501	Nipple	-	R10026914
502	Nipple	-	R10026915
504	Fitting/union	-	R10026916
521	NTC sensor	R10027351	-
619	Pressure	20003181	20003181
621	Washer	R5038	-
700	Hydraulic control cable (first version)	20013587	20013587
700	Hydraulic control cable	20017596	20017596

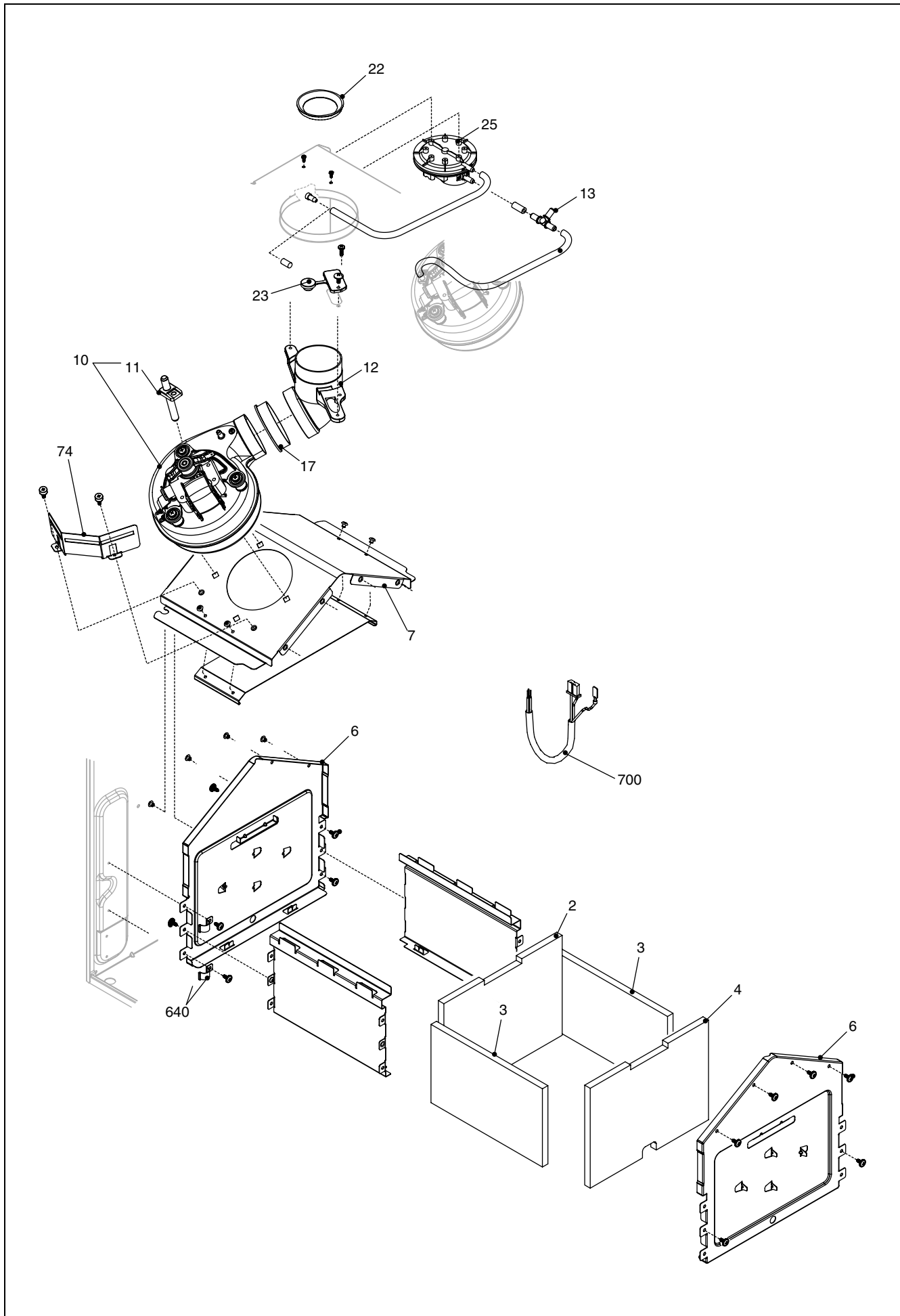


POS.	DESCRIPTION	24csi	24rsi
1	7 lt. expansion vessel	20029826	20029826
2	Pipe	R10028603	R10028603
3	Pump	R10027571	R10027571
4	Air vent bottle	R10025485	R10025485
7	Pipe	20011421	20011421
8	Heat exchanger	20052578	20052578
9	Pipe	20011420	20011420
200	Washer	R5023	R5023
290	Clip	R2165	R2165
299	Washer	R10022726	R10022726
302	Washer	R5025	R5025
520	NTC-sensor	20004832	20004832
594	O ring	20024869	20024869
624	Clip	R5472	R5472
625	High limit thermostat	20005585	20005585
627	Spring pipe	20005546	20005546





POS.	DESCRIPTION	24csi	24rsi
3	Collector	20005584	20005584
4	N.G. burner	20005551	20005551
5	Spark / ignition electrode	R10025985	R10025985
12	Pipe	20011422	20011422
13	Gas valve	20007784	20007784
14	Gas pipe	20005553	20005553
15	3/4" gas cock	R2266	R2266
16	Combustion chamber cover	20005594	20005594
17	Gas valve solenoid	20040675	20040675
18	Plug	20005550	20005550
27	Hole cover	20005586	20005586
31	Hole cover	20049606	20049606
200	Washer	R5023	R5023
201	Washer	R5026	R5026
629	Kit cable grommet	20005595	20005595
640	Clip	20011042	20011042
700	G20 conversion kit	20019506	20019506
701	Lpg conversion kit	20019507	20019507
702	G25 conversion kit	R01005508	R01005508



POS.	DESCRIPTION	24csi	24rsi
2	Back insulatin panel	20005561	20005561
3	Insulation panel	20005562	20005562
4	Front insulation panel	20005560	20005560
6	Combustion chamber front cover	20017585	20017585
7	Flue draught diverter	20005596	20005596
10	Fan	20026724	20026724
11	Pressure connection	20021548	20021548
12	Fumes connection	20011048	20011048
13	Segnal amplifier	20025687	20025687
17	Washer	20005552	20005552
22	Flange Ø 44	R10021730	R10021730
22	Flange Ø 42	R10027845	R10027845
23	Cap smoke analysis	20005549	20005549
25	Pressure switch	R10023908	R10023908
74	Fan support kit	20021597	20021597
640	Clip	20011042	20011042
700	Combustion cable	20021583	20021583

<b>Rev.</b>	<b>data</b>	<b>Descrizione</b>
1.0	23/11/09	Aggiunte trasformazioni, aggiunte flange fumi
2.0	28/09/2010	E00120090668 : cablaggio combustione – E00120090733 : circolatore E00120090736: gruppo distributore zero brass E00120100139 : Vaso espansione - E00120090680 : staffa ventilatore E00120100083 : Amplificatore di segnale - E00120100343: ventilatore E00120100374: gruppo distributore zero brass solo riscaldamento E00120100427: vaso espansione - Inserita presa pressione ventilatore
3.0	14/07/11	Inserito degasatore del circolatore E00120110317 : nuova bobina valvola gas
4.0	13/10/2011	E00120110473 : cartuccia gruppo distribuzione E00120110548 : valvola di non ritorno E00120110373 : mensola telaio – E00120110498 : rivetto messaa terra
5.0	15/10/2012	E00120110494 : Valvola di sicurezza 3 bar E00120120332 : scambiatore monotermico E00120120434 : miglioramento strutturale
6.0	22/07/2013	E00120130578 : anello or – Aggiunto coperchio camera combustione Aggiunta manopola rubinetto riempimento

