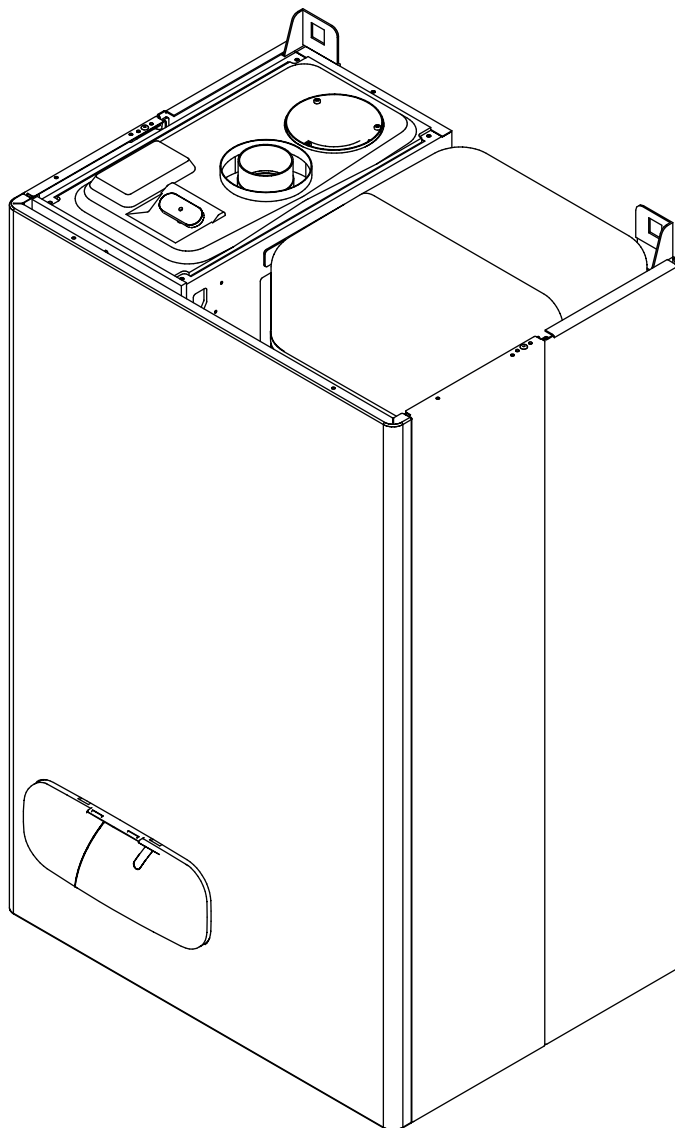
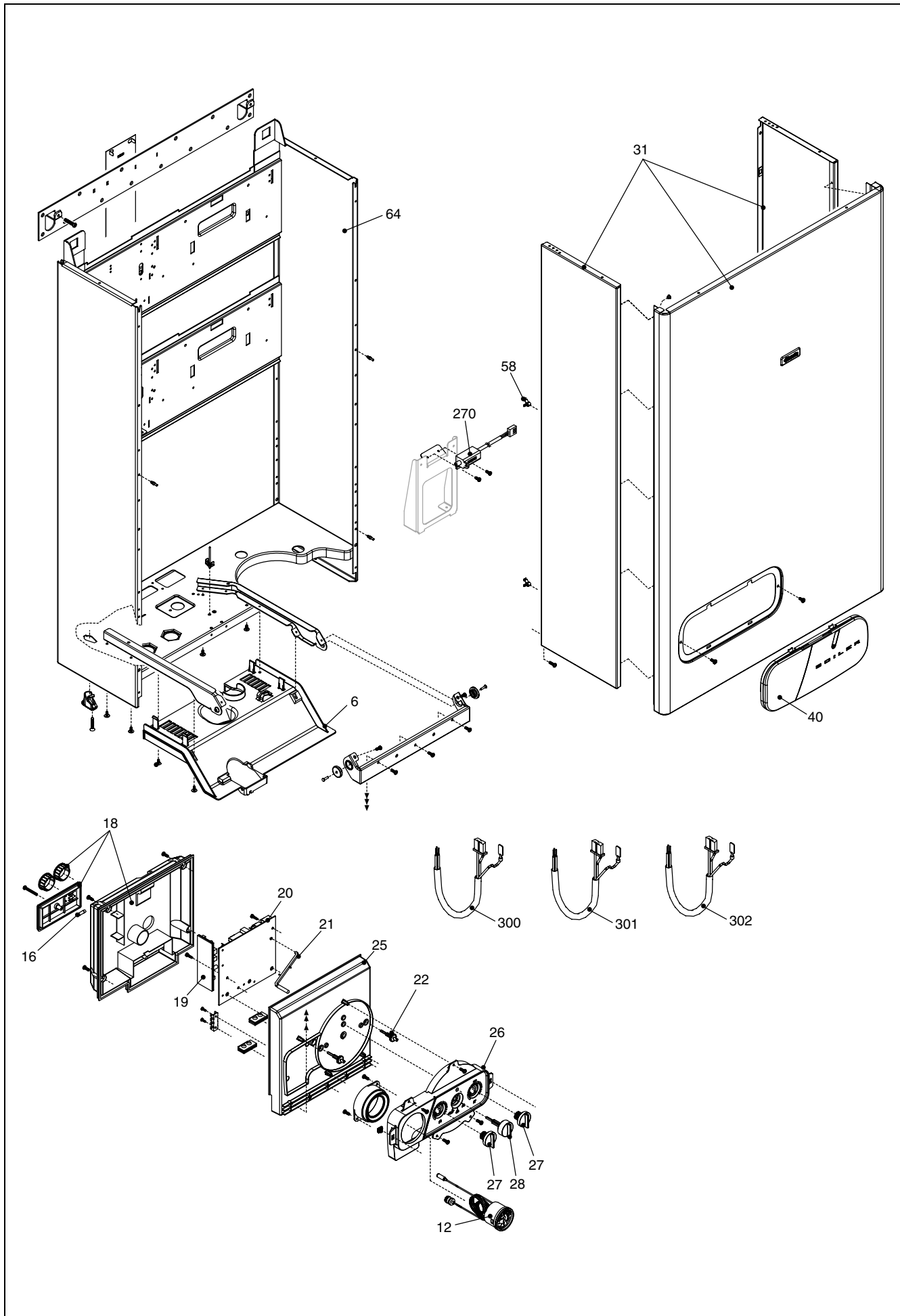


**Wall hung boilers**

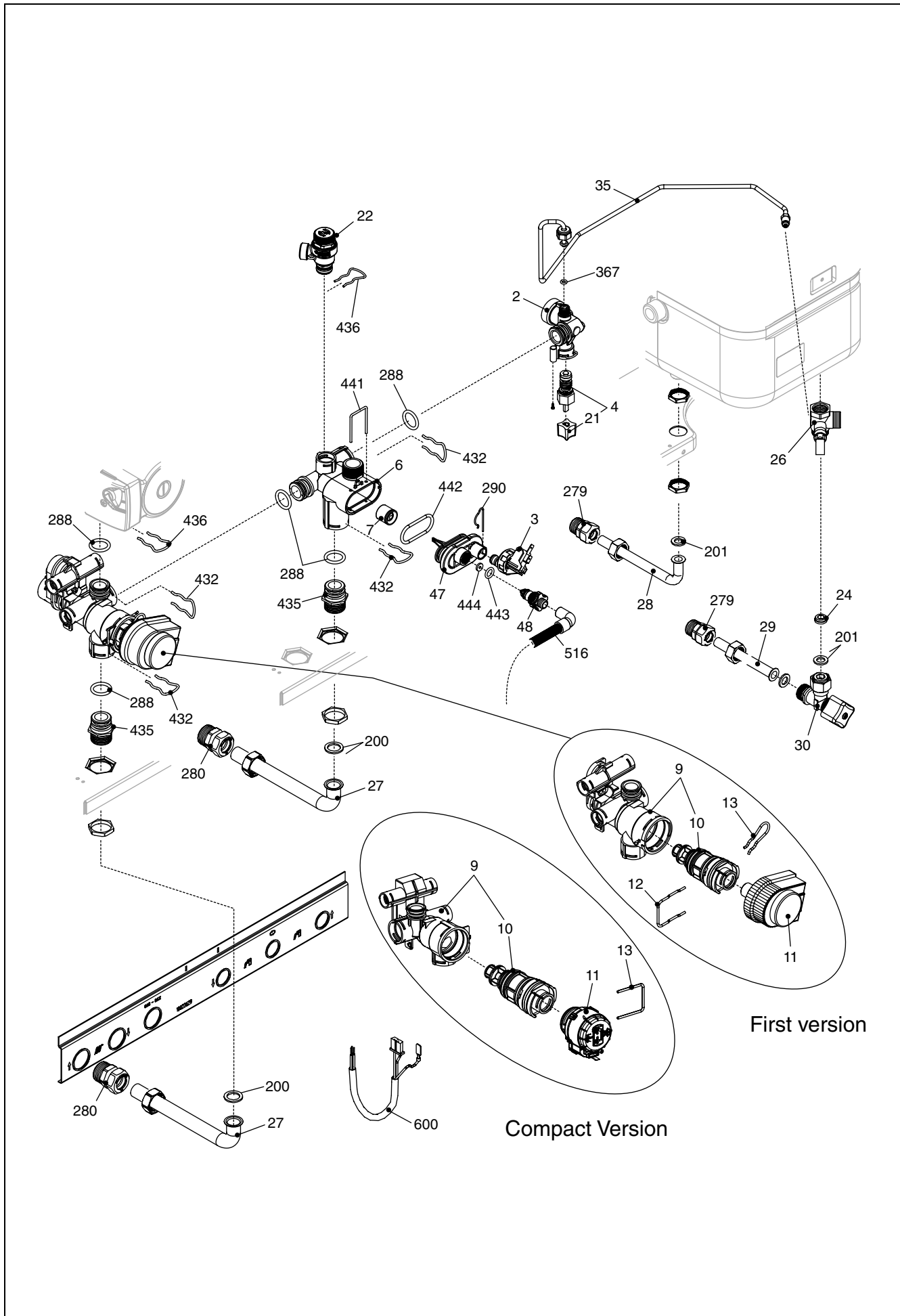
**Boiler**



MODEL	PART NUMBER	
	MTN	GPL
Boiler 24 Bai	1151023 (C3M)	-
Boiler 28 Bai	1151033 (C4M)	-
Boiler 24 Bsi	1151043 (C5M)	-
Boiler 28 Bsi	1151053 (C6M)	-

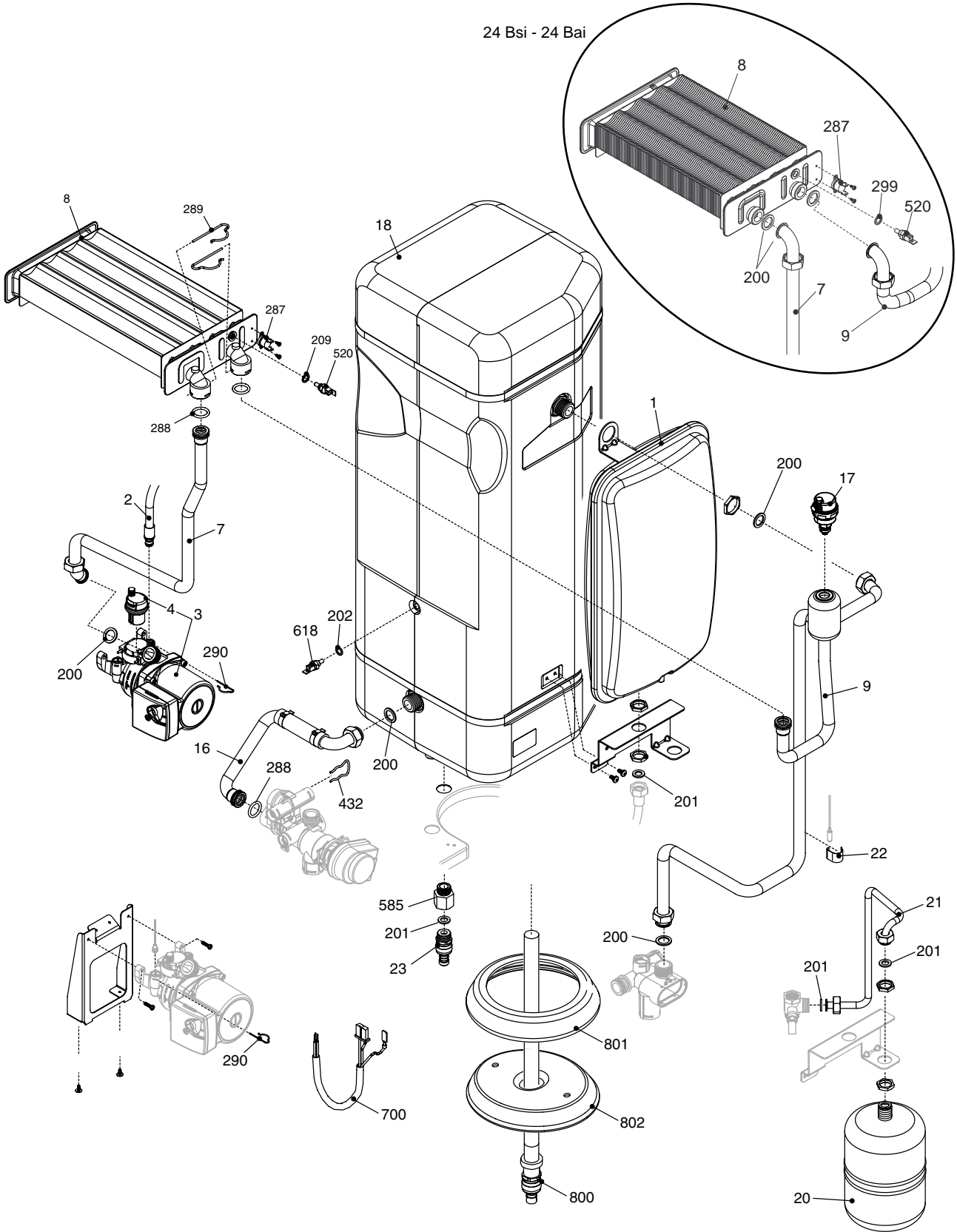


POS.	DESCRIPTION	24bai	28bai	24bsi	28bsi
6	Guard	R10029966	R10029966	R10029966	R10029966
12	Thermo-pressure gauge	20002434	20002434	20002434	20002434
16	2A fuse	R8968	R8968	R8968	R8968
18	Cover	R10022422	R10022422	R10022422	R10022422
19	Flame control ignition module	R10028890	R10028890	R10028890	R10028890
20	Printed circuit board	R10028454	R10028454	R10028454	R10028454
21	Led light guide	R10022826	R10022826	R10022826	R10022826
22	Shaft	R10022424	R10022424	R10022424	R10022424
25	Cover	R10023011	R10023011	R10023011	R10023011
26	Fixing flange	R10030279	R10030279	R10030279	R10030279
27	Knob	R10030282	R10030282	R10030282	R10030282
28	Control knob	R10030281	R10030281	R10030281	R10030281
31	Case	R01005323	R01005323	R01005323	R01005323
40	Door panel	R10030277	R10030277	R10030277	R10030277
58	Spring	R5588	R5588	R5588	R5588
64	Frame assembly	R01005510	R01005510	R01005510	R01005510
270	Ignition transformer TR2	R10021272	R10021272	R10021272	R10021272
300	Wiring harness	R10021407	R10021407	R10021407	R10021407
301	Low tension cable	R10030186	R10030186	R10030186	R10030186
302	Power wiring harness	R10023136	R10023136	R10023136	R10023136

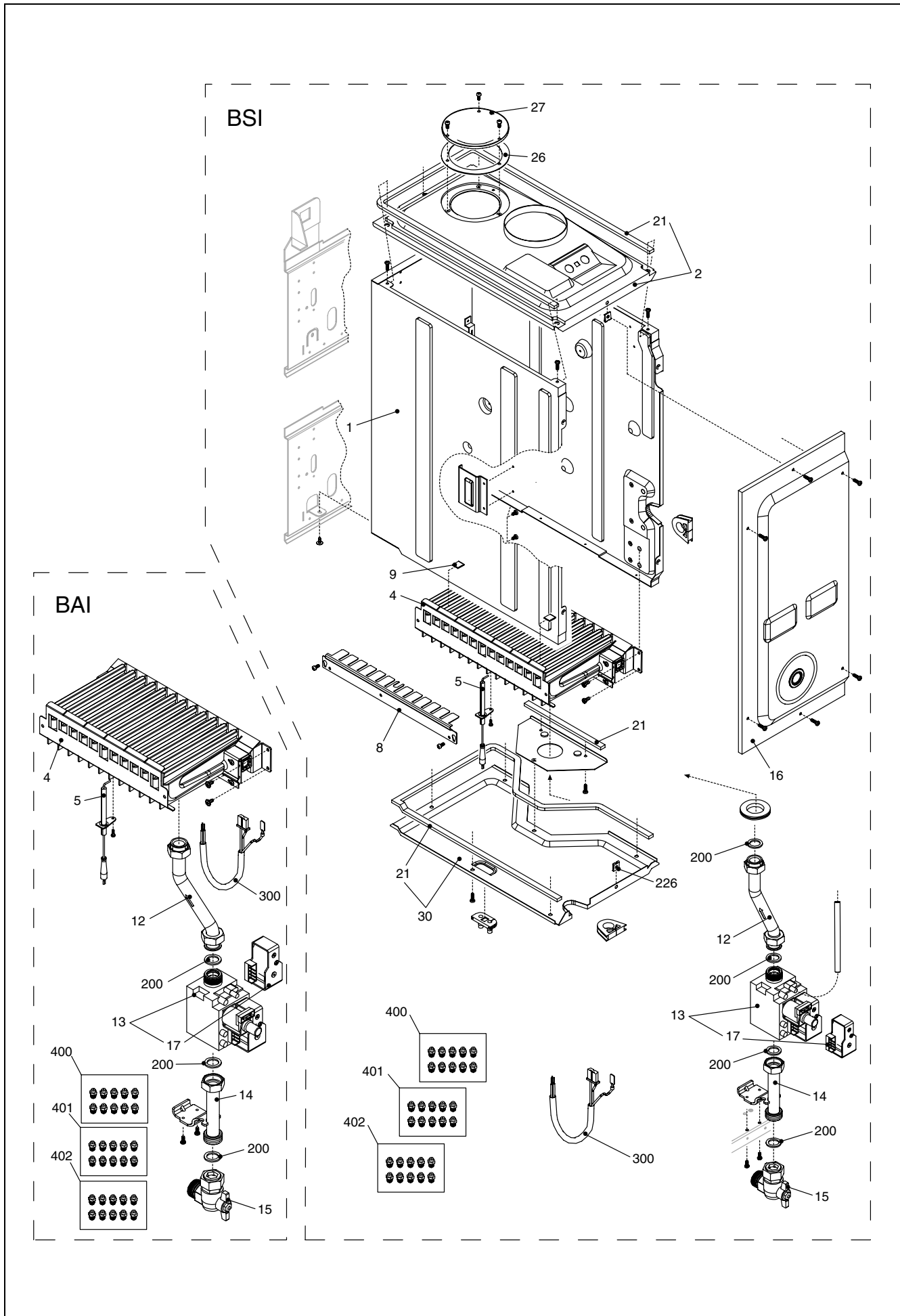


POS.	DESCRIPTION	24bai	28bai	24bsi	28bsi
2	Valve	R10030322	R10030322	R10030322	R10030322
3	Pressure water switch	R10028141	R10028141	R10028141	R10028141
4	Filling cock	R10025060	R10025060	R10025060	R10025060
6	By-pass casing	R10024641	R10024641	R10024641	R10024641
7	Heating by-pass valve	R2047	R2047	R2047	R2047
9	3-way heating manifold and cartridge (first version)	R10027343	R10027343	R10027343	R10027343
9	3-way heating manifold and cartridge (compact version)	20024204	20024204	20024204	20024204
10	3 way valve cartridge (first version)	R10025305	R10025305	R10025305	R10025305
10	3 way valve cartridge (compact version)	20043594	20043594	20043594	20043594
11	Actuator (first version)	R10025304	R10025304	R10025304	R10025304
11	Actuator (compact version)	20017594	20017594	20017594	20017594
12	Clip	R10025450	R10025450	R10025450	R10025450
13	Clip (first version)	R10025449	R10025449	R10025449	R10025449
13	Clip (compact version)	20017598	20017598	20017598	20017598
21	Filling cock knob	R6889	R6889	R6889	R6889
22	Safety valve	20043820	20043820	20043820	20043820
24	Flow governor	R10020041	R1321	R10020041	R1321
26	Non return valve	R10021901	R10021901	R10021901	R10021901
27	Pipe	R10029603	R10029603	R10029603	R10029603
28	Pipe	R8677	R8677	R8677	R8677
29	Pipe	R10022631	R10022631	R10022631	R10022631
30	Water supply stop cock	R1888	R1888	R1888	R1888
35	Pipe	R10029600	R10029600	R10029600	R10029600
47	Cover for by-pass assembly	R10024643	R10024643	R10024643	R10024643
48	Cock	R10024646	R10024646	R10024646	R10024646
200	Washer	R5023	R5023	R5023	R5023
201	Washer	R5026	R5026	R5026	R5026
279	Connection	R10025089	R10025089	R10025089	R10025089
280	Connection	R10025090	R10025090	R10025090	R10025090
288	Ring	R6898	R6898	R6898	R6898
290	Clip	R2165	R2165	R2165	R2165
367	O ring	R8542	R8542	R8542	R8542
432	Clip	R10024958	R10024958	R10024958	R10024958
435	Fitting/union	R10025059	R10025059	R10025059	R10025059
436	Clip	R10025062	R10025062	R10025062	R10025062
441	Clip	R10025063	R10025063	R10025063	R10025063
442	O ring	R10025065	R10025065	R10025065	R10025065
443	O ring	R10025064	R10025064	R10025064	R10025064
444	Washer	R10025066	R10025066	R10025066	R10025066
516	Flexible pipe	R10027040	R10027040	R10027040	R10027040
600	Control cable (first version)	R10030184	R10030184	R10030184	R10030184
600	Control cable (compact version)	20042288	20042288	20042288	20042288

24 Bsi - 24 Bai



POS.	DESCRIPTION	24bai	28bai	24bsi	28bsi
1	10 lt. expansion vessel	R10029279	R10029279	R10029279	R10029279
2	Pipe	R10022626	R10022626	R10022626	R10022626
3	Pump	R10027571	R10027571	R10027571	R10027571
4	Air vent bottle	R10025485	R10025485	R10025485	R10025485
7	Pipe	R10030327	R10029961	R10030332	R10029961
8	Heat exchanger	R10030323	R10022717	R10030323	R10022717
9	Pipe	R10030161	R10029850	R10030162	R10029850
16	Pipe	R10029296	R10029296	R10029296	R10029296
17	Air venting plug	R10029306	R10029306	R10029306	R10029306
18	Boiler	20002419	20002419	20002419	20002419
20	Expansion vessel	R1329	R1329	R1329	R1329
21	Pipe	R10028747	R10028747	R10028747	R10028747
22	Clip	R3412	R3412	R3412	R3412
23	Venting-plug	R10022518	R10022518	R10022518	R10022518
200	Washer	R5023	R5023	R5023	R5023
201	Washer	R5026	R5026	R5026	R5026
202	Washer	R5041	R5041	R5041	R5041
287	High limit thermostat	R2258	R2258	R2258	R2258
288	Ring	R6898	R6898	R6898	R6898
289	Clip	-	R2223	-	R2223
290	Clip	R2165	R2165	R2165	R2165
432	Clip	R10024958	R10024958	R10024958	R10024958
520	NTC sensor	20004832	20004832	20004832	20004832
585	Fitting/union	R2710	R2710	R2710	R2710
618	NTC sensor	20002418	20002418	20002418	20002418
700	Pump cable	R10030187	R10030187	R10030187	R10030187
800	Magnesium anode	20002422	20002422	20002422	20002422
801	Washer	R10023982	R10023982	R10023982	R10023982
802	Flange	R10024186	R10024186	R10024186	R10024186





POS.	DESCRIPTION	24bai	28bai	24bsi	28bsi
1	Air box bottom	-	-	R10022608	R10022713
2	Upper panel for air box	-	-	R10022609	R10022609
4	N.G. burner	R10030129	R10030192	R10030129	R10030117
5	Spark / ignition electrode	R10025985	R10025985	R10025985	R10025985
8	Flame propagation baffle	-	-	R2068	R2069
9	Plate	-	-	R5172	R5172
12	Gas pipe	R10030189	R10029963	R10030190	R10029963
13	Gas valve	20007784	20007784	20007784	20007784
14	Gas pipe	R10029305	R10029305	R10029305	R10029305
15	3/4" gas cock	R2266	R2266	R2266	R2266
16	Cover assembly	-	-	R10023238	R10023238
17	Gas valve solenoid	20040675	20040675	20040675	20040675
21	Washer	-	-	R5905	R5905
26	Washer	-	-	R8975	R8975
27	Plug	-	-	R8084	R8084
30	Air box cover	-	-	R10022610	R10022610
200	Washer	R5023	R5023	R5023	R5023
226	Clip	-	-	R5128	R5128
300	Gas valve cable	R10030185	R10030185	R10030185	R10030185
400	Ng conversion kit	R01005225	R01005225	R01005225	R01005225
401	LPG conversion kit	R01005217	R01005217	R01005214	R01005214
402	Conversion kit G25.1	R01005507	R01005507	R01005507	R01005507



POS.	DESCRIPTION	24bai	28bai	24bsi	28bsi
1	Combustion chamber	R10022677	R10022756	R10022618	R10022715
2	Protection	R5270	R5316	R5270	R5316
3	Back insulatin panel	R10022620	R10022620	R10022620	R10022620
4	Protection	-	-	R5269	R5315
7	Flue draught diverter	R10022676	R10022755	R10022617	R10022714
10	Fan	-	-	R10020793	R10022718
11	Pressure tube	-	-	R10021726	R10021176
12	Fan connection	-	-	R2237	R2237
16	Clamp	-	-	R10024026	R10024026
19	Fan flue connection	-	-	R10022622	R10022622
20	Fumes testing connection pipe	-	-	R10022614	R10022614
22	Flange	R10022701	-	R10027845	R10021730
25	Pressure diff. switch kit	-	-	R01005272	R01005272
26	Plug	-	-	R10020624	R10020624
27	Nut screw	-	-	R10020625	R10020625
28	Clip	-	-	R10020626	R10020626
32	Combustion chamber bottom	R6592	R9224	-	-
33	Combustion chamber front panel	R10022621	R10022621	R10022621	R10022621
34	Fumes thermostat	R8647	R8647	-	-
226	Clip	R5128	R5128	-	-
300	Combustion cable	R10030417	R10030417	R10030188	R10030188

<b>Rev.</b>	<b>data</b>	<b>Descrizione</b>
1.0	17/03/08	E00120080119 : Bollitore e sonda E00120080049 : Termoidrometro Inserito anodo, flangia e guarnizione
2.0	21/02/2010	E00120100019 : molletta
3.0	13/07/11	E00120110317 : nuova bobina valvola gas – Inserito degasatore del circolatore
4.0	20/02/2012	E00120120083 : valvola tre vie – E00120110494 : valvola di sicurezza 3 bar
5.0	25/06/2013	E00120120115 : valvola gas – Corretto disegno scambiatore per 24bai-bsi E00120120141 : presa pressione ventilatore

