

Century Plus Series



- Female thread 1", 1 1/2", 2" e 3"
- Globe/Angle configuration
- Body and bonnet in Nylon reinforced with fiberglass (30%)

Features

- Internal and external manual bleed
- Flow control
- Slow, anti-water hammer closing
- Rubber diaphragm reinforced with double rib
- Captive Solenoid (the plunger is retained in the solenoid)
- O-Ring gasket on unused inlet cap guarantees hermetic seal and does not require Teflon

Additional Features

- Fastening of the top of the body by means of nuts and threaded pins incorporated in the mould
- Self-cleaning control orifices
- Brass flow control stem (mod 2" and 3")

Specifications

- Flow Range: 1,1-68,1 m³/h (18-1135 l/min)
- Operating pressure: 0,7 – 13,8 bar
- Solenoid 24VAC – 50Hz
 - Inrush current 0,34 Amp
 - Holding current 0,20 Amp

Options

- Accepts Irritrol Ominireg pressure regulator

The Century Plus series comprises valves of excellent quality intended for use in both medium- and large-sized systems. Highly pressure resistant, this range allows achieving high performance confirming it as one of the best on the market.

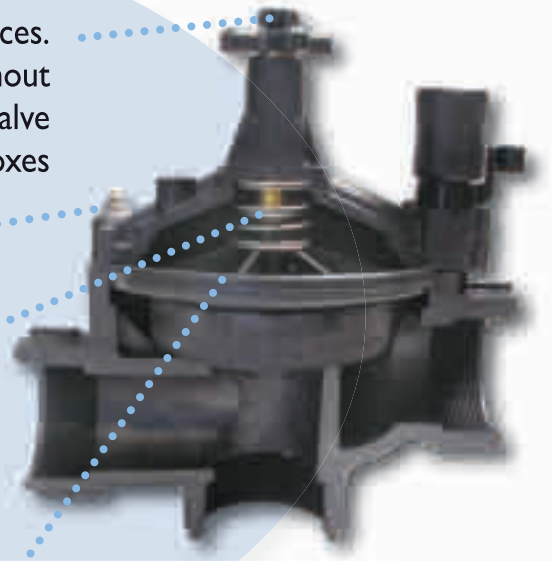


Self-cleaning control orifices.
All the parts are easily accessible without
having to remove the valve from the valve
boxes

The shaped internal pins allow better joining
the cover to the body

The steel spring and the reinforced
membrane ensure valve strength even in
difficult conditions

The rubber diaphragm reinforced
with double rib ensures protection
against leaks



Pressure Loss (bar)

m ³ /h	1,1	1,2	2,4	3,6	4,5	6,0	7,2	8,4	9,6	10,8	12,0	15,0	18,0	21,0	24,0	27,0	30,0	33,0	36,0	39,0	42,0	45,0	48,0	51,0	54,0	57,0	60,0	63,0	68,1
l/min	18	20	40	60	76	100	120	140	160	180	200	250	300	350	400	450	500	550	600	650	700	750	800	850	900	950	1000	1050	1135
1" globe	0,43	0,32	0,29	0,24	0,22	0,25	0,32	0,43	0,55	0,69	0,83	-	-	-	-	-	-	-	-	-	-	-	-	-	-	-	-	-	-
1" angle	0,43	0,32	0,29	0,24	0,21	0,19	0,22	0,30	0,39	0,49	0,61	-	-	-	-	-	-	-	-	-	-	-	-	-	-	-	-	-	-
1 1/2" globe	-	-	-	-	-	-	0,12	0,14	0,18	0,22	0,28	0,43	0,62	0,9	1,11	-	-	-	-	-	-	-	-	-	-	-	-	-	-
1 1/2" angle	-	-	-	-	-	-	0,09	0,10	0,12	0,17	0,22	0,34	0,48	0,65	0,84	-	-	-	-	-	-	-	-	-	-	-	-	-	-
2" globe	-	-	-	-	-	-	-	-	-	-	-	-	0,14	0,20	0,25	0,32	0,40	0,48	-	-	-	-	-	-	-	-	-	-	-
2" angle	-	-	-	-	-	-	-	-	-	-	-	-	0,08	0,12	0,15	0,19	0,24	0,29	-	-	-	-	-	-	-	-	-	-	-
3" globe	-	-	-	-	-	-	-	-	-	-	-	-	-	-	-	-	-	-	0,18	0,20	0,23	0,28	0,32	0,36	0,41	0,47	0,52	0,58	0,7
3" angle	-	-	-	-	-	-	-	-	-	-	-	-	-	-	-	-	-	-	0,14	0,16	0,19	0,22	0,26	0,30	0,34	0,38	0,43	0,49	0,58

Codification

Code	Description
I00P1-BSP	Valve Century Plus, 1" female, Flow Control
I00P1.5-BSP	Valve Century Plus, 1 1/2" female, Flow Control
I00P2-BSP	Valve Century Plus, 2" female, Flow Control
I00P3-BSP	Valve Century Plus, 3" female, Flow Control
I00P1-LS-BSP	Valve Century Plus, 1" female, Flow Control, without solenoid
I00P1.5-LS-BSP	Valve Century Plus, 1 1/2" female, Flow Control, without solenoid
I00P2-LS-BSP	Valve Century Plus, 2" female, Flow Control, without solenoid
I00P3-LS-BSP	Valve Century Plus, 3" female, Flow Control, without solenoid