

Circulators for heating and air-conditioning installations



PERFORMANCE RANGE

- Flow rate up to **5.2 m³/h**
- Head up to **7 m**

APPLICATION LIMITS

- Liquid temperature from **+5 °C**
(-10 °C per DHL 25-32/70) up to **+110 °C** (class TF 110)
- Ambient temperature up to **+55 °C**
(+35 °C for DHL 25/70 - 32/70)
- Maximum working pressure **10 bar** (PN 10)
- Maximum glycol percentage 50%
- The rotor shaft should be installed horizontally

CONSTRUCTION AND SAFETY STANDARDS

EN 60335-1
IEC 60335-1
CEI 61-150



CERTIFICATIONS



INSTALLATION AND USE

Suitable for use with clean water and liquids that are not chemically aggressive towards the materials from which the circulator is made.

Ideal for the forced-circulation of hot and cold water, the circulator has **three speed** settings.

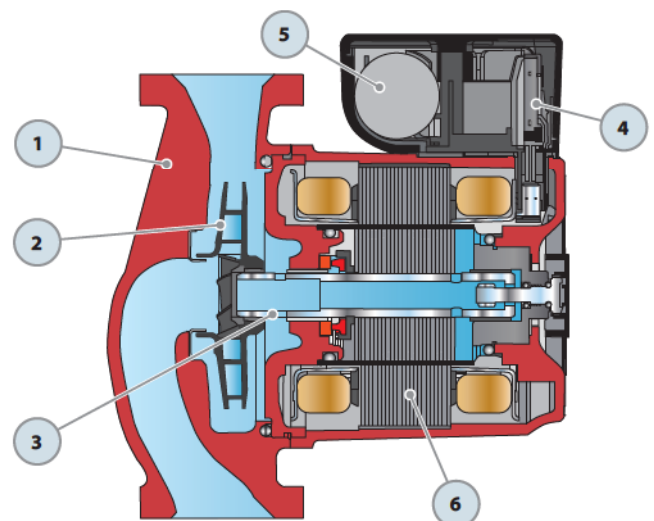
The pump should be installed in an enclosed environment, or at least sheltered from inclement weather.

GUARANTEE

2 years subject to terms and conditions

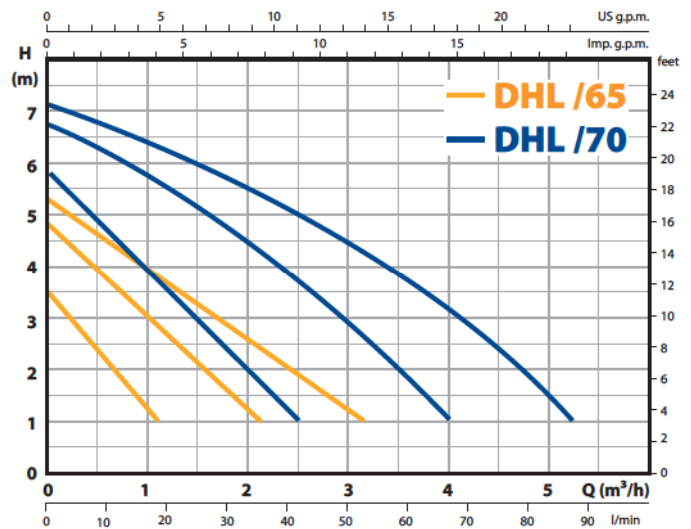
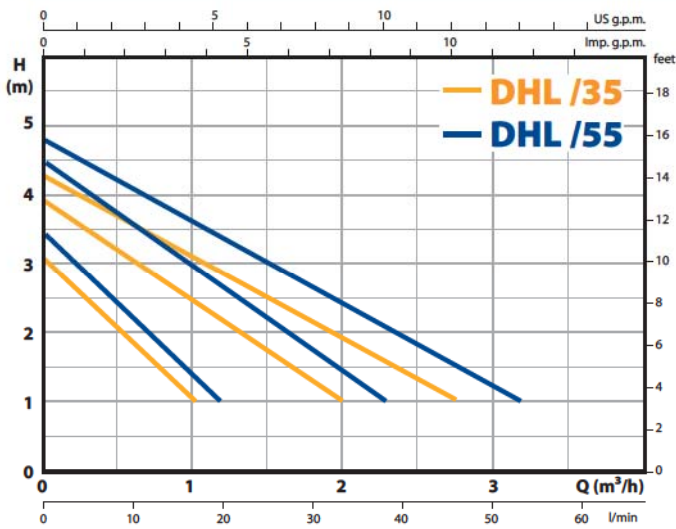
POS. CONSTRUCTION CHARACTERISTICS

1	PUMP BODY	Cast iron										
2	IMPELLER	Technopolymer										
3	SHAFT	Stainless steel										
4	SWITCH	Three positions										
5	CAPACITOR	<table border="1"> <thead> <tr> <th>Pump</th> <th>Capacitance</th> </tr> </thead> <tbody> <tr> <td>Single-phase (230 V)</td> <td></td> </tr> <tr> <td>DHL 25/35</td> <td>1.5 µF 400 VL</td> </tr> <tr> <td>DHL 25/55-65</td> <td>2.0 µF 400 VL</td> </tr> <tr> <td>DHL 25-32/70</td> <td>3.5 µF 400 VL</td> </tr> </tbody> </table>	Pump	Capacitance	Single-phase (230 V)		DHL 25/35	1.5 µF 400 VL	DHL 25/55-65	2.0 µF 400 VL	DHL 25-32/70	3.5 µF 400 VL
Pump	Capacitance											
Single-phase (230 V)												
DHL 25/35	1.5 µF 400 VL											
DHL 25/55-65	2.0 µF 400 VL											
DHL 25-32/70	3.5 µF 400 VL											
6	MOTOR	Single-phase 230 V - 50Hz – Insulation: H class – Protection: IP 44										



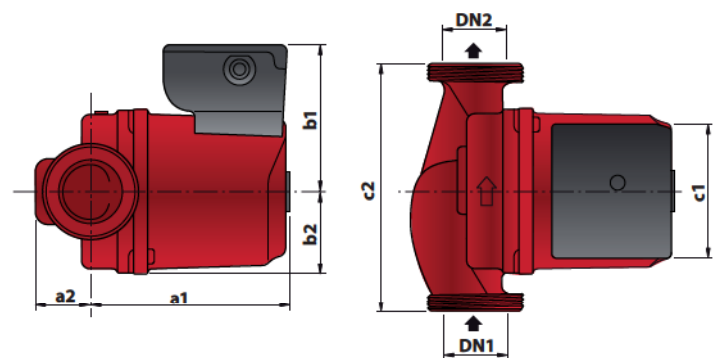
CHARACTERISTIC CURVES AND PERFORMANCE DATA

50 Hz n= 2900 1/min HS= 0 m



MODEL	DIMENSIONS	PERFORMANCE		Speed	rpm	P1 (W)	In (A)
		m³/h	metres				
Single-phase							
DHL 25/35-130	130	0.3 ÷ 2.8	4 ÷ 1	3	2300	48	0.21
DHL 25/35-180	180			2	1950	46	0.20
				1	1400	34	0.15
DHL 25/55-130	130	0.3 ÷ 3.2	4.5 ÷ 1	3	2350	52	0.23
DHL 25/55-180	180			2	1900	46	0.20
				1	1350	36	0.16
DHL 25/65-130	130	0.3 ÷ 3.2	5 ÷ 1	3	2200	62	0.27
DHL 25/65-180	180			2	1800	58	0.25
				1	1300	38	0.16
DHL 25/70-180	180	0.3 ÷ 5.2	7 ÷ 1	3	2650	125	0.55
DHL 32/70-180	180			2	2520	103	0.48
				1	2030	92	0.45

MODEL	PORTS		DIMENSIONS mm						Peso kg
	DN1	DN2	a1	a2	b1	b2	c1	c2	
Single-phase									
DHL 25/35-130								130	2.7
DHL 25/35-180								180	3.0
DHL 25/55-130	1½"	1½"	101.5	33.7	76.7	51.3	68.2	130	2.7
DHL 25/55-180								180	3.0
DHL 25/65-130	1½"	1½"	101.5	33.7	76.7	51.3	68.2	130	2.7
DHL 25/65-180								180	3.0
DHL 25/70-180	1½"	1½"	115.5	33.7	76.7	51.3	68.2	180	3.5
DHL 32/70-180	2"	2"						180	3.6



PALLETIZATION

MODEL	n° pumps	H (mm)	kg 1~
Single-phase			
DHL 25/35-130	200	880	557
DHL 25/35-180	180	890	557
DHL 25/55-130	200	880	557
DHL 25/55-180	180	890	557
DHL 25/65-130	200	880	557
DHL 25/65-180	180	890	557
DHL 25/70-180	180	890	647
DHL 32/70-180	180	890	665

