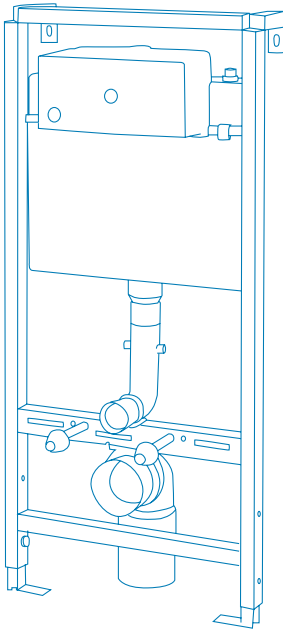




## CONCEALED SYSTEMS

3



The line of concealed systems is the perfect choice for bathroom and sanitation facilities equipment. The perfect feature of economical and silent flushing is invisible in the room and aesthetically compatible with the bathroom equipment of your choosing due to our wide selection of flushing plates.

---

4 DUPLO drywall elements

17 INSTALLATION SET - concealed elements

24 Concealed flushing cisterns



**Installation set - WC element 811.8009**  
concealed element with a 189.0400 flushing cistern for a suspended toilet bowl, front activation

**Installation method**

- Pre-wall installation or installation on a solid wall
- Flushing cistern installation: from a 20 to 80 mm depth

**Properties**

- Concealed element for wall-hung toilet bowls with a concealed flushing cistern
- The flushing cistern is fully protected by a Styrofoam housing
- Installation height: approx. 112 cm (depending on the selected toilet bowl)
- Element depth: 13,6 cm
- For frontal activation
- Used for mounting a dual flush flushing plate
- Possibility to mount start-stop flushing plate
- Flushing cistern is made from PE-HD
- The flushing cistern is insulated against condensation
- Silent HMV filling valve (10 dB(A) at 0,3 MPa)

**Technical data**

- Flushing cistern volume: 7 litres
- Mounting for dual flush
- Large flush: 5 1/6 l/7 l
- Small flush: 3 1/4 l
- Connection to water: at the top left/middle/right and from the right side
- Galvanized supporting element
- Suitable for the installation of toilet bowl with an axial distance of 18 or 23 cm

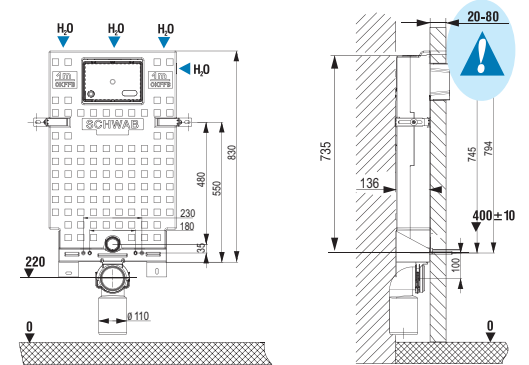
**The product contains:**

- Universal connection to water DN 15 (1/2") with a built-in angle valve
- PE wall-mounted drain elbow DN 100 with a seal
- Connecting parts for mounting toilet bowl
- Other parts necessary to fix and connect the product

Art. Nr.: **499-1306**  
Ident: 383586  
Weight: 10,1 kg  
Packaging: 24 pcs/pallet  
(1,2 x 0,8 m)

Without flushing plate

**Technical drawing**



**Possibility to install flushing plate**

Caro, Circle, Dots, Dots Duo, Ovate, Ovate Duo



**Installation set - WC element 811.8008\_XS**  
concealed element with a 188.0400 flushing cistern for a suspended toilet bowl, front activation

**Installation method**

- Pre-wall installation or installation on a solid wall
- Flushing cistern installation: from a 20 to 80 mm depth

**Properties**

- Concealed element for wall-hung toilet bowls with a concealed flushing cistern
- Installation height: approx. 107,5 cm (depending on the selected toilet bowl)
- Element depth: 12 cm
- For front activation
- Used for mounting a dual flush flushing plate
- Flushing cistern is made from PS material
- The flushing cistern is insulated against condensation
- Silent filling valve

**Technical data**

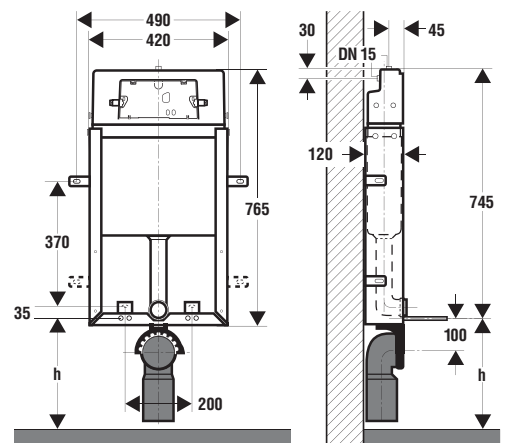
- Flushing cistern volume: 9 litres
- Mounting for dual flush
- Large flush: 6 l-9 l
- Small flush: 3 l
- Connection to the water supply: at the top
- Galvanized supporting element
- Suitable for the installation of toilet bowl with an axial distance of 18 or 23 cm

**The product contains:**

- Angle valve for connection to the water supply, DN 15 (1/2")
- PE wall-mounted drain elbow DN 100 with a seal
- Connecting parts for mounting toilet bowl
- Other parts necessary to fix and connect the product
- Without concealing segment
- Without foot supports

Without flushing plate

**Technical drawing**



**Possibility to install flushing plate**

Riva Mini, Riva Duo Mini, Point, Point Duo



Art. Nr.: **434-3006**  
Ident: 236734  
Weight: 8,02 kg  
Packaging: 12 pcs/pallet  
(1,2 x 0,8 m)



**Installation set - WC element "front-top" 811.5007**

**concealed element with a 182.0400 flushing cistern for a suspended toilet bowl, front activation**

**Installation method**

- Pre-wall installation or installation on a solid wall
- Flushing cistern installation: from a 20 to 80 mm depth

**Properties**

- Concealed element for wall-hung toilet bowls with a concealed flushing cistern
- Installation height: approx. 107,5 cm (depending on the selected toilet bowl)
- Element depth: 12 cm
- For front activation
- Used for mounting a dual flush flushing plate
- Flushing cistern is made from PS material
- The flushing cistern is insulated against condensation
- Silent filling valve

**Technical data**

- Flushing cistern volume: 9 litres
- Mounting for dual flush
- Large flush: 6 l-9 l
- Small flush: 3 l
- Connection to the water supply: at the top
- Galvanized supporting element
- Suitable for the installation of toilet bowl with an axial distance of 18 or 23 cm

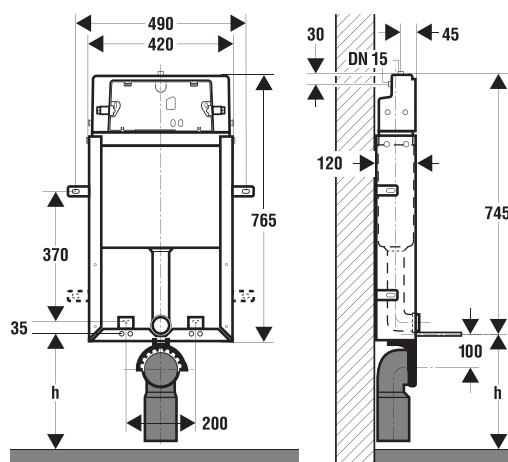
**The product contains:**

- Angle valve for connection to the water supply, DN 15 (1/2")
- PE wall-mounted drain elbow DN 100 with a seal
- Connecting parts for mounting toilet bowl
- Other parts necessary to fix and connect the product
- Without concealing segment
- Without foot supports

Without flushing plate

Art. Nr.: **434-0406**  
 Ident: 223790  
 Weight: 7,88 kg  
 Packaging: 10 pcs/pallet  
 (1,2 x 0,8 m)

**Technical drawing**



**Possibility to install flushing plate**

Riva, Riva Duo, Viva, Gala



**Installation set - WC element 811.8098**

**concealed element with a 198.0400 flushing cistern for a suspended toilet bowl, front activation**

**Installation method**

- Pre-wall installation or installation on a solid wall
- Flushing cistern installation: from 15 to 80 mm depth

**Properties**

- Concealed element for wall-hung toilet bowls with a concealed flushing cistern
- Installation height of approx. 106 cm (depending on the selected toilet bowl)
- Element depth: 9 cm
- For frontal activation
- Used for mounting a dual flush flushing plate
- Possibility to mount start-stop flushing plate
- Flushing cistern is made from PS material
- The flushing cistern is insulated against condensation
- Silent filling valve

**Technical data**

- Flushing cistern volume: 9 litres
- Mounting for dual flush
- Large flush: 7 l-9 l
- Small flush: 2 l-4 l
- Connection to the water supply: at the top right
- Galvanized supporting element
- Suitable for the installation of toilet bowl with an axial distance of 18 or 23 cm

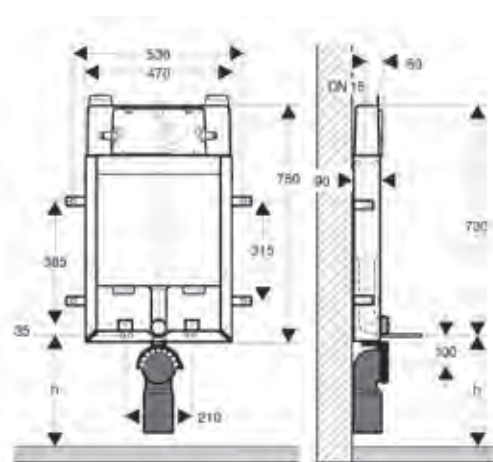
**The product contains:**

- Angle valve for connection to the water supply, DN 15 (1/2")
- PE wall drain elbow DN 90 with seal
- Connecting parts for mounting toilet bowl
- Other parts necessary to fix and connect the product
- Without concealing segment
- Without foot supports

Without flushing plate

Art. Nr.: **499-1167**  
 Ident: 337173  
 Weight: 7,5 kg  
 Packaging: 24 pcs/pallet  
 (1,2 x 0,8 m)

**Technical drawing**



**Possibility to install flushing plate**

Caro, Circle, Dots, Dots Duo, Ovate, Ovate Duo





**Installation set - WC element 811.8092**  
**concealed element with a 192.0400 flushing**  
**cistern for a suspended toilet bowl, front**  
**activation**

**Installation method**

- Pre-wall installation or installation on a solid wall
- Flushing cistern installation: from a 20 to 80 mm depth

**Properties**

- Concealed element for wall-hung toilet bowls with a concealed flushing cistern
- Installation height of approx. 106 cm (depending on the selected toilet bowl)
- Element depth: 9 cm
- For frontal activation
- Used for mounting a dual flush flushing plate
- Possibility to mount start-stop flushing plate
- Flushing cistern is made from PS material
- The flushing cistern is insulated against condensation
- Silent filling valve

**Technical data**

- Flushing cistern volume: 9 litres
- Mounting for dual flush
- Large flush: 6 l-9 l
- Small flush: 3 l
- Connection to the water supply: at the top
- Galvanized supporting element
- Suitable for the installation of toilet bowl with an axial distance of 18 or 23 cm

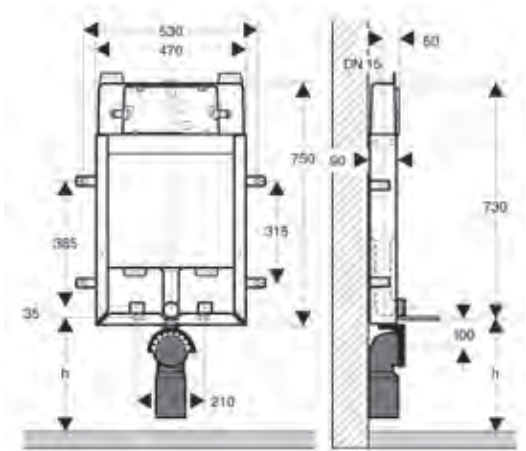
**The product contains:**

- Angle valve for connection to the water supply, DN 15 (1/2")
- PE wall drain elbow DN 90 with seal
- Connecting parts for mounting toilet bowl
- Other parts necessary to fix and connect the product
- Without concealing segment
- Without foot supports

Without flushing plate

Art. Nr.: **434-1383**  
 Ident: 230382  
 Weight: 7,8 kg  
 Packaging: 20 pcs/pallet  
 (1,2 x 0,8 m)

**Technical drawing**



**Possibility to install flushing plate**

Riva, Riva Duo, Viva, Gala



**Installation set - WC element "front-top"**  
**811.8007**  
**concealed element with a 187.1200 flushing**  
**cistern for a suspended toilet bowl, top/front**

**Installation method**

- Pre-wall installation or installation on a solid wall
- Flushing cistern installation: from a 20 to 80 mm depth

**Properties**

- Concealed element for wall-hung toilet bowls with a concealed flushing cistern
- Installation height: approx. 111,5 cm (depending on the selected toilet bowl)
- Element depth: 14,5 cm
- For front or upper activation
- Used for mounting a dual flush flushing plate
- Flushing cistern is made from PS material
- The flushing cistern is insulated against condensation
- Silent filling valve

**Technical data**

- Flushing cistern volume: 6 litres
- Mounting for dual flush
- Large flush: 6 l
- Small flush: 3 l
- Connection to the water supply: at the top right
- Galvanized supporting element
- Suitable for the installation of toilet bowl with an axial distance of 18 or 23 cm

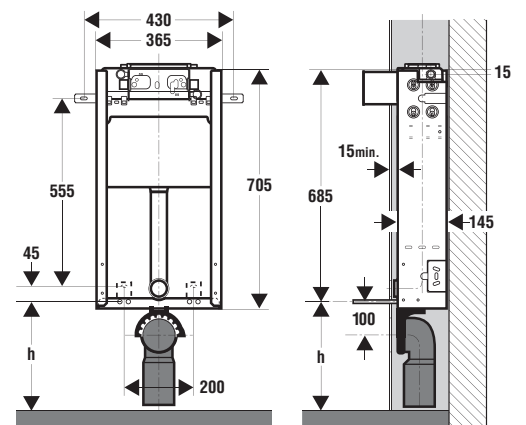
**The product contains:**

- Angle valve for connection to the water supply, DN 15 (1/2")
- PE wall-mounted drain elbow dn 100 with a seal
- Connecting parts for mounting toilet bowl
- Other parts necessary to fix and connect the product
- Without concealing segment
- Without foot supports

Without flushing plate

Art. Nr.: **430-8477**  
 Ident: 228713  
 Weight: 8,39 kg  
 Packaging: 30 pcs/pallet  
 (1,2 x 0,8 m)

**Technical drawing**



**Possibility to install flushing plate**

Onda, Targa, Line





**Installation set - WC element "front-top" 811.5007**  
**concealed element with a 187.1200 flushing cistern for a suspended toilet bowl, top/front**

- Installation method**
- Pre-wall installation or installation on a solid wall
  - Flushing cistern installation: from a 20 to 80 mm depth

- Properties**
- Concealed element for wall-hung toilet bowls with a concealed flushing cistern
  - Installation height: approx. 82 cm (depending on the selected toilet bowl)
  - Element depth: 14,5 cm
  - For front or upper activation
  - Used for mounting a dual flush flushing plate
  - Flushing cistern is made from PS material
  - The flushing cistern is insulated against condensation
  - Silent filling valve

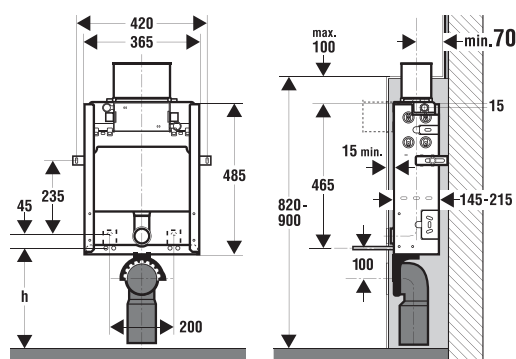
- Technical data**
- Flushing cistern volume: 6 litres
  - Mounting for dual flush
  - Large flush: 6 l
  - Small flush: 3 l
  - Connection to the water supply: at the top right
  - Galvanized supporting element
  - Suitable for the installation of toilet bowl with an axial distance of 18 or 23 cm

- The product contains:**
- Angle valve for connection to the water supply, DN 15 (1/2")
  - PE wall-mounted drain elbow DN 100 with a seal
  - Connecting parts for mounting toilet bowl
  - Other parts necessary to fix and connect the product
  - Without concealing segment
  - Without foot supports

Without flushing plate

Art. Nr.: **430-8478**  
 Ident: 228972  
 Weight: 7,54 kg  
 Packaging: 30 pcs/pallet  
 (1,2 x 0,8 m)

**Technical drawing**



**Possibility to install flushing plate**  
 Onda, Targa, Line



**Installation set - Infrared WC element 811.6006**  
**concealed element with a 184.0400 flushing cistern for a suspended toilet bowl, for infrared control**

- Installation method**
- Pre-wall installation or installation on a solid wall
  - For ECOVITAL infrared dual-flush electronic

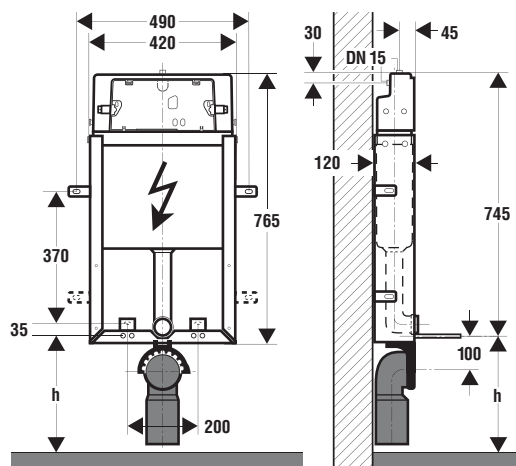
- Properties**
- Concealed element for wall-hung toilet bowls with a concealed flushing cistern
  - Installation height: approx. 107,5 cm (depending on the selected toilet bowl)
  - Element depth: 12 cm
  - For infrared activation
  - Flushing cistern is made from PS material
  - The flushing cistern is insulated against condensation
  - Silent filling valve

- Technical data**
- Flushing cistern volume: 9 litres
  - Flush: 6 - 9 / 3 litres, alternatively 6 - 9 litres full flush
  - Connection to the water supply: at the top
  - Galvanized supporting element
  - Suitable for the installation of toilet bowl with an axial distance of 18 or 23 cm

- The product contains:**
- Angle valve for connection to the water supply, DN 15 (1/2")
  - PE wall-mounted drain elbow DN 100 with a seal
  - Connecting parts for mounting toilet bowl
  - Other parts necessary to fix and connect the product
  - Without IR WC electronic control
  - Without chrome-nickel-steel cover plate
  - Without concealing segment
  - Without foot supports
  - Possibility to install flushing plate
  - Ecovital electronic control

Art. Nr.: **434-0371**  
 Ident: 385759  
 Weight: 7,5 kg  
 Packaging: 1 pc

**Technical drawing**





**Installation set - WC element 811.4004**  
**concealed element with a 184.0400 flushing cistern for a suspended toilet bowl, for pneumatic WC control**

**Installation method**

- Pre-wall installation or installation on a solid wall

**Properties**

- Concealed element for wall-hung toilet bowls with a concealed flushing cistern
- Installation height: approx. 107,5 cm (depending on the selected toilet bowl)
- Element depth: 12 cm
- For pneumatic activation
- Flushing cistern is made from PS material
- The flushing cistern is insulated against condensation
- Silent filling valve

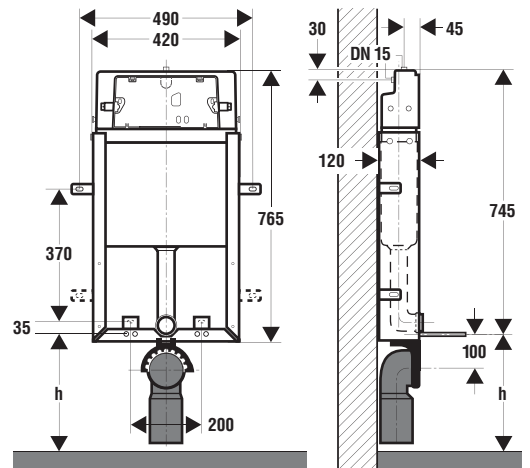
**Technical data**

- Flushing cistern volume: 9 litres
- Large flush: 6 l-9 l
- Connection to the water supply: at the top
- Galvanized supporting element
- Suitable for the installation of toilet bowl with an axial distance of 18 or 23 cm

**The product contains:**

- Angle valve for connection to the water supply, DN 15 (1/2")
- PE wall-mounted drain elbow DN 100 with a seal
- Connecting parts for mounting toilet bowl
- Other parts necessary to fix and connect the product
- Without push button for remote control
- Without chrome-nickel-steel cover plate
- Without concealing segment
- Without foot supports

**Technical drawing**



Art. Nr.: **430-6800**

Ident: 363343

Weight: 8,08 kg

Packaging: 12 pcs/pallet  
 (1,2 × 0,8 m)

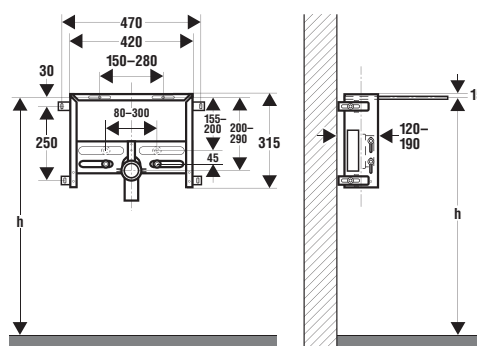


Art. Nr.: **430-4022**  
 Ident: 236679  
 Weight: 3,4 kg  
 Packaging: 75 pcs/pallet  
 (1,2 x 0,8 m)

**Installation set - Wash basin element 811.510X**

- Installation method**  
 - Pre-wall installation or installation on a solid wall
- Properties**  
 - Concealed element for wash basins  
 - Element depth: 12 cm
- Technical data**  
 - PE drain elbow DN 50  
 - Rubber sink trap seal, Ø 32 mm  
 - Galvanized supporting element  
 - Suitable for the installation of wash basin
- The product contains:**  
 - With valve connections  
 - Other parts necessary to fix and connect the product

**Technical drawing**

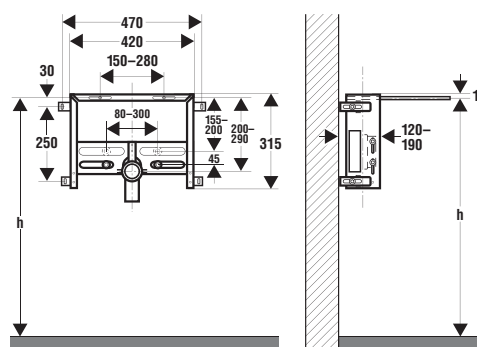


Art. Nr.: **430-6466**  
 Ident: 230894  
 Weight: 4,15 kg  
 Packaging: 75 pcs/pallet  
 (1,2 x 0,8 m)

**Installation set - Bidet element 811.520X**

- Installation method**  
 - Pre-wall installation or installation on a solid wall
- Properties**  
 - Concealed element for bidet  
 - Element depth: 12 cm
- Technical data**  
 - PE drain elbow DN 50  
 - Rubber sink trap seal, Ø 32 mm  
 - Galvanized supporting element  
 - Suitable for the installation of bidet
- The product contains:**  
 - With valve connections  
 - Other parts necessary to fix and connect the product

**Technical drawing**

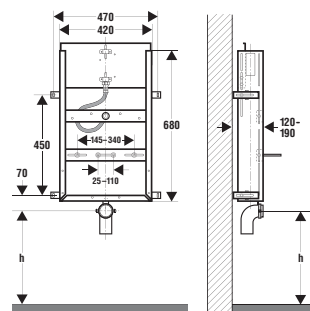


Art. Nr.: **435-0258**  
 Ident: 239986  
 Weight: 10 kg  
 Packaging:  
 18 pcs/pallet (1,2 x 0,8 m)

**Installation set - Urinal element 811.866X**

- Installation method**  
 - Pre-wall installation or installation on a solid wall
- Properties**  
 - Concealed element for urinals  
 - Element depth: 12 cm
- Technical data**  
 - PE drain elbow DN 50  
 - Rubber sink trap seal, Ø 32 mm  
 - Galvanized supporting element  
 - Suitable for the installation of urinal
- The product contains:**  
 - With valve connections  
 - Other parts necessary to fix and connect the product  
 - Without inlet fittings and concealed siphon  
 - Without in-wall flushing valve (on request)

**Technical drawing**

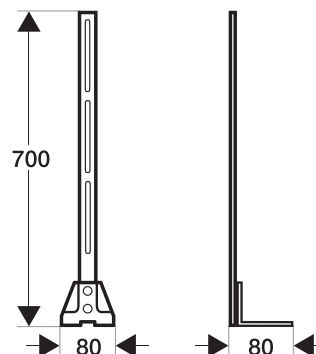


Art. Nr.: **440-4363**  
 Ident: 227599  
 Weight: 1,35 kg  
 Packaging: 5 pcs/box  
 20 pcs/pallet (1,2 x 0,8 m)

**Installation set - Foot supports**

- Installation method**  
 - Pre-wall installation or installation on a solid wall - As installation support
- Properties**  
 - For installation set elements
- Technical data**  
 - U-shaped galvanized profile with bottom plates

**Technical drawing**



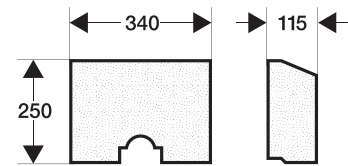


**Concealing segment****Installation method**

- Pre-wall installation or installation on a solid wall - For covering the flush pipe elbow in installation set

**Properties**

- For WC element 811.8002\_XS and 811.8008\_XS, 811.4004, 811.6006

**Technical drawing**

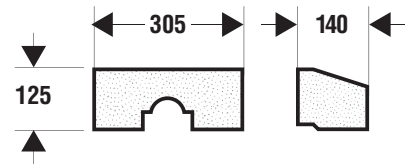
Art. Nr.: **441-1797**  
 Ident: 362448  
 Weight: 0,12 kg  
 Packaging: 12 pcs/box  
 72 pcs/pallet (1,2 × 0,8 m)

**Concealing segment****Installation method**

- Pre-wall installation or installation on a solid wall - For covering the flush pipe elbow in installation set

**Properties**

- For WC element 811.5007\_XS

**Technical drawing**

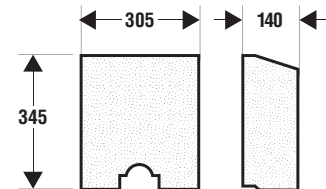
Art. Nr.: **711-2139**  
 Ident: 365136  
 Weight: 0,1 kg  
 Packaging: 18 pcs/box  
 216 pcs/pallet (1,2 × 0,8 m)

**Concealing segment****Installation method**

- Pre-wall installation or installation on a solid wall - For covering the flush pipe elbow in installation set

**Properties**

- For WC element 811.8007\_XS

**Technical drawing**

Art. Nr.: **711-2140**  
 Ident: 385761  
 Weight: 0,3 kg  
 Packaging: 1 pc



**Concealed cistern 189.0400**  
floor toilet

**Installation method**

- Pre-wall installation or installation on a solid wall

**Properties**

- Concealed flushing cistern for a floor mounted toilet bowls
- Installation height depends on the selected toilet bowl
- Flushing cistern depth: 12 cm
- For frontal activation
- Used for mounting a dual flush flushing plate
- Possibility to mount start-stop flushing plate
- The flushing cistern is made from PE HD material
- The flushing cistern is insulated against condensation
- Silent filling valve

**Technical data**

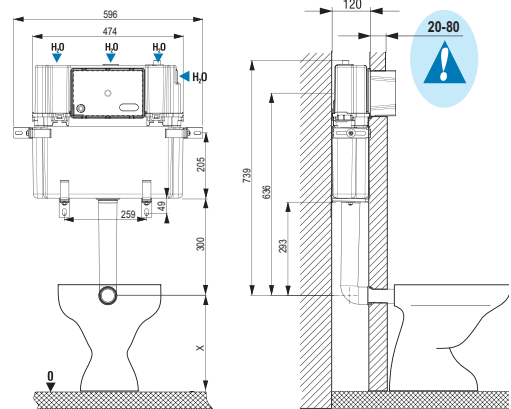
- Flushing cistern volume: 7 litres
- Mounting for dual flush
- Large flush: 5 l/6 l/7 l
- Small flush: 3 l/4 l
- Connection to water: at the top left/middle/right and from the right side

**The product contains:**

- Angle valve for connection to the water supply, DN 15 (1/2")
- Other parts necessary to fix and connect the product

Without flushing plate

**Technical drawing**



Art. Nr.: **469-1081**

Ident: 385765

Weight: 6,23 kg

Packaging: 36 pcs/pallet  
(1,2 x 0,8 m)

**Possibility to install flushing plate**

Caro, Circle, Dots, Dots Duo, Ovate, Ovate Duo



**Concealed cistern 188.0400**  
floor toilet

**Installation method**

- Pre-wall installation or installation on a solid wall

**Properties**

- Concealed flushing cistern for a floor mounted toilet bowls
- Installation height depends on the selected toilet bowl
- Flushing cistern depth: 12 cm
- For frontal activation
- Used for mounting a dual flush flushing plate
- Possibility to mount start-stop flushing plate
- The flushing cistern is made from PS material
- The flushing cistern is insulated against condensation
- Silent filling valve

**Technical data**

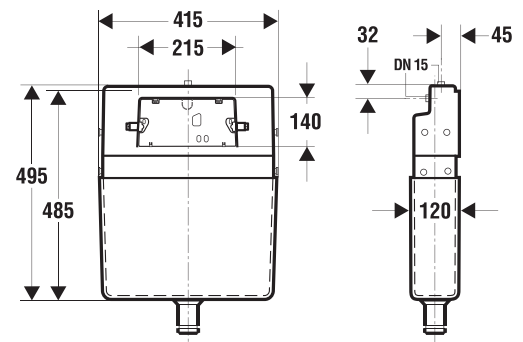
- Flushing cistern volume: 9 litres
- Mounting for dual flush
- Large flush: 6 l/9 l
- Small flush: 3 l
- Connection to the water supply: at the top middle

**The product contains:**

- Angle valve for connection to the water supply, DN 15 (1/2")
- Other parts necessary to fix and connect the product

Without flushing plate

**Technical drawing**



Art. Nr.: **464-5116**

Ident: 239888

Weight: 3,4 kg

Packaging: 30 pcs/pallet  
(1,2 x 0,8 m)

**Possibility to install flushing plate**

Riva Mini, Riva Duo Mini, Point, Point Duo





### Concealed cistern 182.0400 floor toilet

#### Installation method

- Pre-wall installation or installation on a solid wall

#### Properties

- Concealed flushing cistern for a floor mounted toilet bowls
- Installation height depends on the selected toilet bowl
- Flushing cistern depth: 12 cm
- For frontal activation
- Used for mounting a dual flush flushing plate
- Possibility to mount start-stop flushing plate
- The flushing cistern is made from PS material
- The flushing cistern is insulated against condensation
- Silent filling valve

#### Technical data

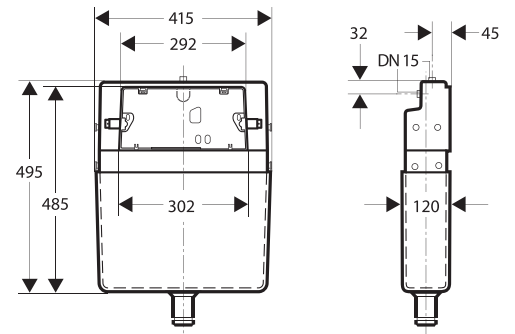
- Flushing cistern volume: 9 litres
- Mounting for dual flush
- Large flush: 6 l/9 l
- Small flush: 3 l
- Connection to the water supply: at the top middle

#### The product contains:

- Angle valve for connection to the water supply, DN 15 (1/2")
- Other parts necessary to fix and connect the product

Without flushing plate

#### Technical drawing



Art. Nr.: 460-8230

Ident: 227172

Weight: 3,3 kg

Packaging: 36 pcs/pallet  
(1,2 × 0,8 m)

#### Possibility to install flushing plate

Riva, Riva Duo, Viva, Gala



### Concealed cistern 198.0400 floor toilet

#### Installation method

- Pre-wall installation or installation on a solid wall

#### Properties

- Concealed flushing cistern for a floor mounted toilet bowls
- Installation height depends on the selected toilet bowl
- Flushing cistern depth: 9 cm
- For frontal activation
- Used for mounting a dual flush flushing plate
- Possibility to mount start-stop flushing plate
- The flushing cistern is made from PS material
- The flushing cistern is insulated against condensation
- Silent filling valve

#### Technical data

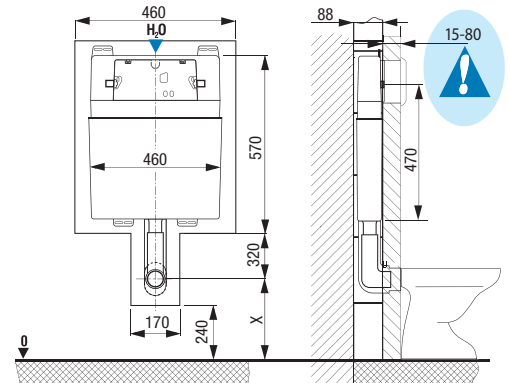
- Flushing cistern volume: 9 litres
- Mounting for dual flush
- Large flush: 7 l-9 l
- Small flush: 2 l-4 l
- Connection to the water supply: at the top right

#### The product contains:

- Angle valve for connection to the water supply, DN 15 (1/2")
- Other parts necessary to fix and connect the product

Without flushing plate

#### Technical drawing



Art. Nr.: 465-1307

Ident: 323532

Weight: 4,75 kg

Packaging: 30 pcs/pallet  
(1,2 × 0,8 m)

#### Possibility to install flushing plate

Caro, Circle, Dots, Dots Duo, Ovate, Ovate Duo





**Concealed cistern 192.0400**  
floor toilet

**Installation method**

- Pre-wall installation or installation on a solid wall

**Properties**

- Concealed flushing cistern for a floor mounted toilet bowls
- Installation height depends on the selected toilet bowl
- Flushing cistern depth: 9 cm
- For frontal activation
- Used for mounting a dual flush flushing plate
- Possibility to mount start-stop flushing plate
- The flushing cistern is made from PS material
- The flushing cistern is insulated against condensation
- Silent filling valve

**Technical data**

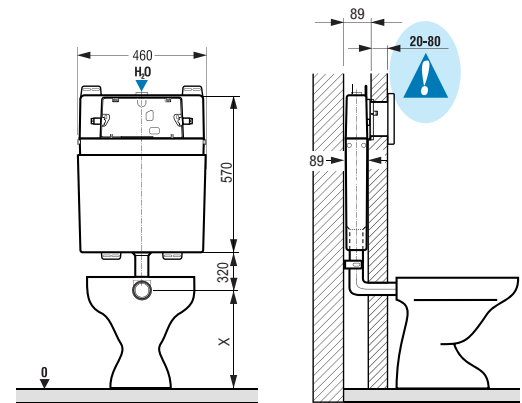
- Flushing cistern volume: 9 litres
- Mounting for dual flush
- Large flush: 6 l-9 l
- Small flush: 3 l
- Connection to the water supply: at the top

**The product contains:**

- Angle valve for connection to the water supply, DN 15 (1/2")
- Other parts necessary to fix and connect the product

Without flushing plate

**Technical drawing**



Art. Nr.: 464-1134

Ident: 227612

Weight: 4,76 kg

Packaging: 30 pcs/pallet  
(1,2 x 0,8 m)

**Possibility to install flushing plate**

Riva, Riva Duo, Viva, Gala



**Concealed cistern „Front-Top“ 187.1200**  
floor toilet

**Installation method**

- Pre-wall installation or installation on a solid wall

**Properties**

- Concealed flushing cistern for a floor mounted toilet bowls
- Installation height depends on the selected toilet bowl
- Flushing cistern depth: 14,2 cm
- For front or upper activation
- Used for mounting a dual flush flushing plate
- The flushing cistern is made from PS material
- The flushing cistern is insulated against condensation
- Silent filling valve

**Technical data**

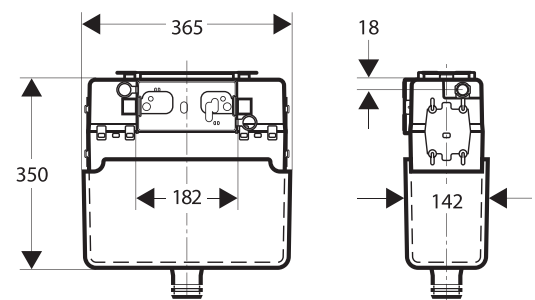
- Flushing cistern volume: 6 litres
- Mounting for dual flush
- Large lush: 6 l
- Small flush: 3 l
- Connection to the water supply: at the top right

**The product contains:**

- Angle valve for connection to the water supply, DN 15 (1/2")
- Other parts necessary to fix and connect the product

Without flushing plate

**Technical drawing**



Art. Nr.: 460-8553

Ident:

Weight: 2,9 kg

Packaging: 30 pcs/pallet  
(1,2 x 0,8 m)

**Possibility to install flushing plate**

Onda, Targa, Line

