

Original spare parts available  
for all product groups:

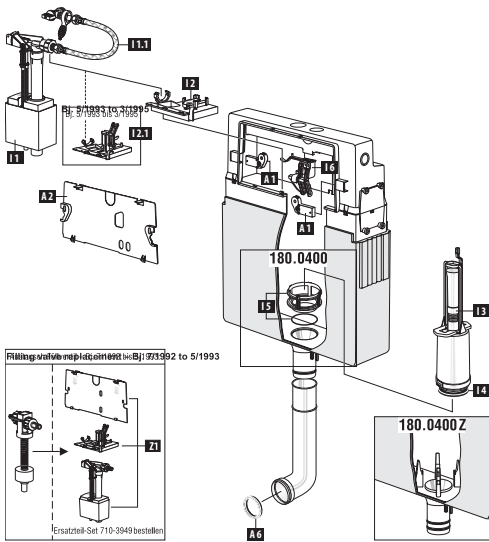
- 25 years for concealed flushing  
cisterns
- 10 years for exposed flushing  
cisterns

---

<sup>50</sup> Spare parts for concealed flushing cisterns

<sup>53</sup> Spare parts for exposed flushing cisterns

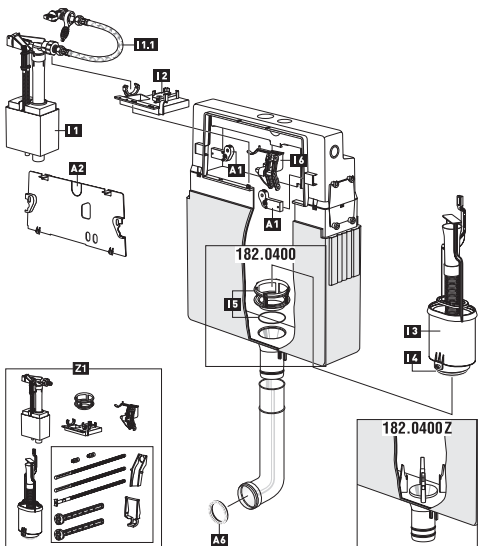
<sup>56</sup> Other spare parts



**Concealed flushing cistern 180.XXX**

1992 to 1997, P-IX 3462/I (Mod. 180.000)  
 1997 to 1998, P-IX 8155/I (Mod. 180.000)  
 From 1999, P-IX 8155/I (Mod. 180.0400)  
 For start/stop flush

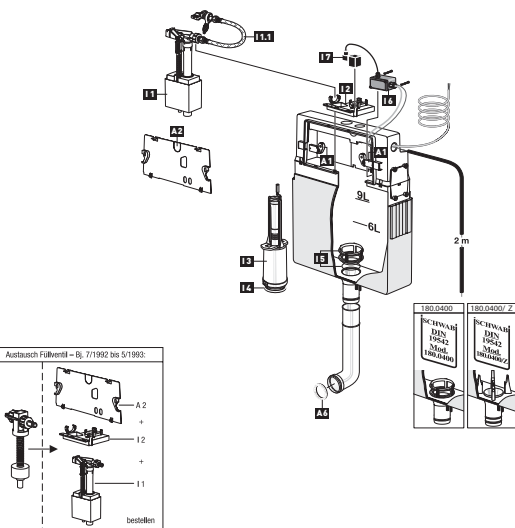
Item No.	Ident	Pos.	Designation	Design
710-7986	363802	A 1	Retaining tabs	1 pair
712-2985	363817	A 2	Cover plate	
711-1192	352277	A 6	Rubber lip seal	for flush pipe elbow
710-8590	243292	I 1	Universal filling valve	
711-2104	359807	I 1.1	Connecting tube	without angle valve
712-3769	239889	I 2	Bridge	from Bj. 3/1995
710-6838	359814	I 2.1	Bridge	with setting lever Bj. 5/1993-3/1995
710-6836	228560	I 3	Outlet valve with gasket	complete
715-0004	351517	I 4	Valve gasket	
712-2110	352281	I 5	Valve seat	with O-ring
710-7655	231613	I 6	Bearing bracket	with setting lever
710-3949	363653	Z 1	Spare part kit	filling valve



**Concealed flushing cistern 182.0400**

From 1999, P-IX 8155/I  
 For dual flush or start-stop flush

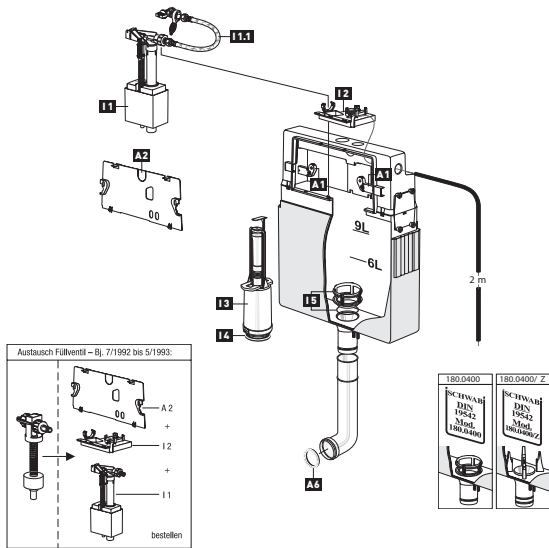
Item No.	Ident	Pos.	Designation	Design
710-7986	363802	A 1	Retaining tabs	1 pair
712-7093	235139	A 2	Cover plate	
711-1192	352277	A 6	Rubber lip seal	for flush pipe elbow
710-8590	243292	I 1	Universal filling valve	
711-2104	359807	I 1.1	Connecting tube	without angle valve
712-3769	239889	I 2	Bridge	
710-8383	228578	I 3	Outlet valve with gasket	complete
715-0004	351517	I 4	Valve gasket	
712-2110	352281	I 5	Valve seat	with O-ring
710-7655	231613	I 6	Bearing bracket	with setting lever
710-8595	359812	Z 1	Spare part kit	



**Concealed flushing cistern 183.XXX**

1992 to 1997, P-IX 3462/I (Mod. 183.000)  
 1997 to 1998, P-IX 8155/I (Mod. 183.000)  
 From 1999, P-IX 8155/I (Mod. 183.0400)  
 For electro-pneumatic remote control

Item No.	Ident	Pos.	Designation	Design
710-7986	363802	A 1	Retaining tabs	1 pair
712-2985	363817	A 2	Cover plate	
711-1192	352277	A 6	Rubber lip seal	for flush pipe elbow
710-8590	243292	I 1	Universal filling valve	
711-2104	359807	I 1.1	Connecting tube	without angle valve
714-0321	363827	I 2	Bridge	
710-5947	364323	I 3	Outlet valve with gasket	complete
715-0004	351517	I 4	Valve gasket	
712-2110	352281	I 5	Valve seat	with O-ring
711-0829	365850	I 6	Branch box	with pressure wave switch
710-8516	366276	I 7	Electromagnetic lever	

**Concealed flushing cistern 184.XXX**

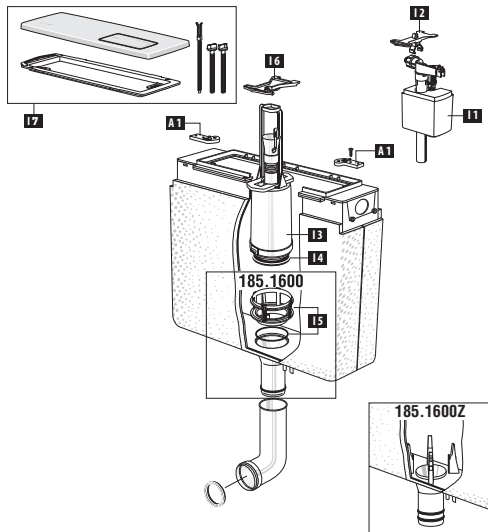
1992 to 1997, P-IX 3462/I (Mod. 184.000)

1997 to 1998, P-IX 8155/I (Mod. 184.000)

From 1999, P-IX 8155/I (Mod. 184.0400)

For servo-mechanical remote control

Item No.	Ident	Pos.	Designation	Design
710-7986	363802	A 1	Retaining tabs	1 pair
712-2985	363817	A 2	Cover plate	
711-1192	352277	A 6	Rubber lip seal	for flush pipe elbow
710-8590	243292	I 1	Universal filling valve	
711-2104	359807	I 1.1	Connecting tube	without angle valve
712-3383	362231	I 2	Bridge	with bellows and air hose
710-6023	362239	I 2	Outlet valve with gasket	complete
715-0004	351517	I 4	Valve gasket	
712-2110	352281	I 5	Valve seat	with O-ring

**Concealed flushing cistern 185.XXX**

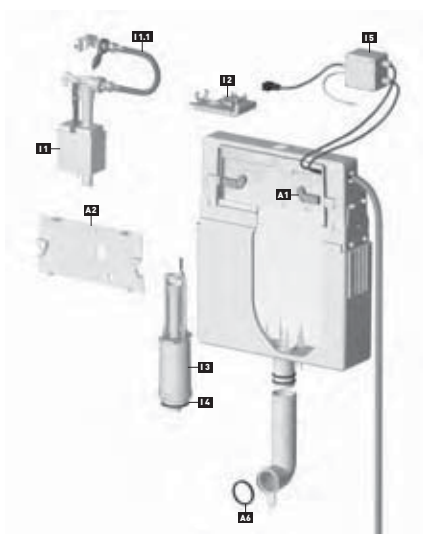
1993 to 1997, P-IX 3671/I (Mod. 185.000)

1997 to 1998, P-IX 8155/I (Mod. 185.000)

From 1999, P-IX 8155/I (Mod. 185.1600)

For top activation / For start/stop flush

Item No.	Ident	Pos.	Designation	Design
710-7986	363802	A 1	Retaining tabs	1 pair
711-1192	352277	A 6	Rubber lip seal	for flush pipe elbow
710-8590	243292	I 1	Universal filling valve	
710-6025	363793	I 2	Bridge	with retaining clip
710-7074	360711	I 3	Outlet valve with gasket	complete
715-0004	351517	I 4	Valve gasket	
712-2110	352281	I 5	Valve seat	with O-ring
712-3121	363818	I 6	Bridge	for outlet valve
710-6979	241331	I 7	Actuation plate "Tecta"	white
710-3778	241303	I 7	Actuation plate "Tecta"	matt-chromed

**Concealed flushing cistern 186.0400**

From 2002

For dual flush

For infrared flushing cistern control

Item No.	Ident	Pos.	Designation	Design
710-7986	363802	A 1	Retaining tabs	1 pair
714-1022	385770	A 2	Cover plate	
711-1192	352277	A 6	Rubber lip seal	for flush pipe elbow
710-8590	243292	I 1	Universal filling valve	
711-2104	359807	I 1.1	Connecting tube	without angle valve
714-0321	363827	I 2	Bridge	
714-1025	363829	I 3	Outlet valve with gasket	complete
715-0004	351517	I 4	Valve gasket	
714-1024	363828	I 5	Power supply unit 230 V	complete with electromagnetic lever

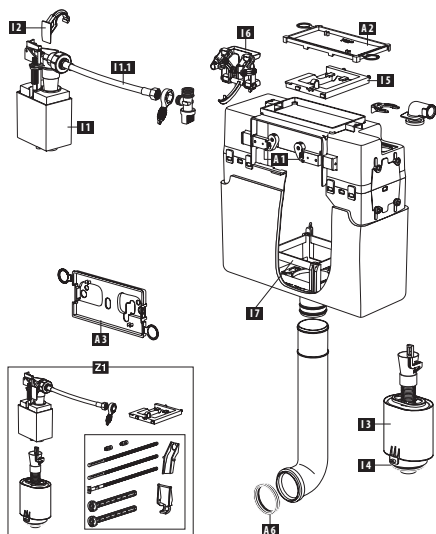
**Concealed flushing cistern 187.1200**

From 2001, P-IX 8155/I

For top or front activation

For dual flush

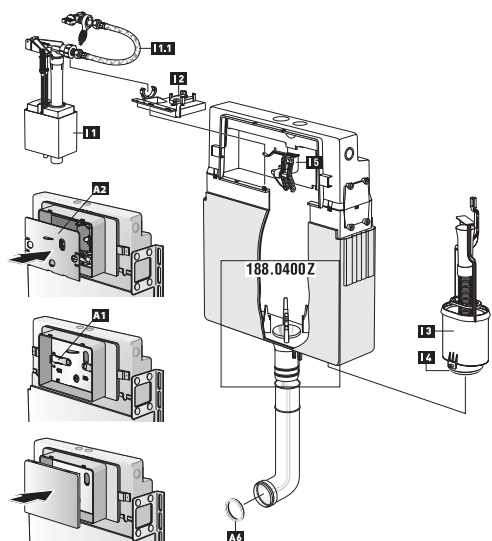
Item No.	Ident	Pos.	Designation	Design
710-7986	363802	A 1	Retaining tabs	1 pair
712-7340	239333	A 2	Closure plate	
712-7341	239334	A 3	Cover plate	
711-1192	352277	A 6	Rubber lip seal	for flush pipe elbow
710-8590	243292	I 1	Universal filling valve	
711-2102	363810	I 1.1	Connecting tube	without angle valve
711-6547	239299	I 2	Holder	for filling valve
710-8588	239233	I 3	Outlet valve with gasket	complete
715-0004	351517	I 4	Valve gasket	
711-6544	239298	I 5	Bridge	
712-7342	355986	I 6	Actuation unit	
711-6551	365137	I 7	Locking mechanism	
710-8597	361809	Z 1	Spare part kit	

**Concealed flushing cistern 188.0400**

From 2008, P-IX 8155/I

For dual flush or start-stop flush

Item No.	Ident	Pos.	Designation	Design
715-0322	367256	A 1	Retaining tabs	1 pair
715-0323	363843	A 2	Cover plate	
711-1192	352277	A 6	Rubber lip seal	for flush pipe elbow
710-8590	243292	I 1	Universal filling valve	
711-2104	359807	I 1.1	Connecting tube	without angle valve
712-3769	239889	I 2	Bridge	
710-8383	228578	I 3	Outlet valve with gasket	complete
715-0004	351517	I 4	Valve gasket	
710-7655	231613	I 5	Bearing bracket	with setting lever

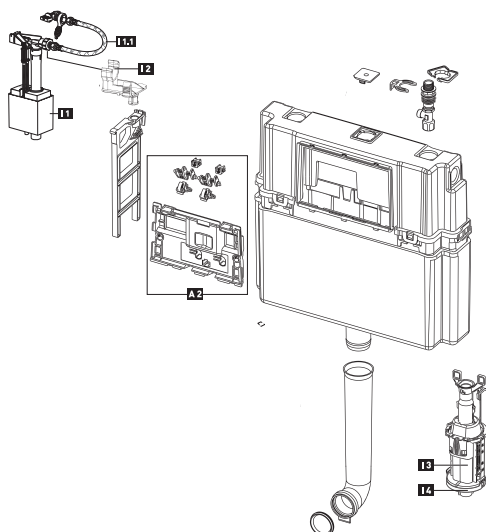
**Concealed flushing cistern 189.0400**

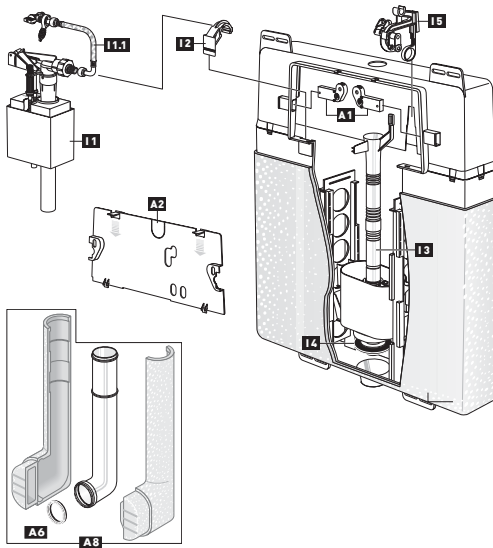
From 2010

P-IX 8155/I

For dual flush or start-stop flush

Item No.	Ident	Pos.	Designation	Design
715-0838	354264	A 2	Cover plate	with setting levers
710-8590	243292	I 1	Universal filling valve	
711-2104	359807	I 1.1	Connecting tube	without corner valve
715-0839	358719	I 2	Filling valve holder	
715-0840	358717	I 3	Outlet valve with gasket	complete
715-0502	243275	I 4	Outlet valve gasket	





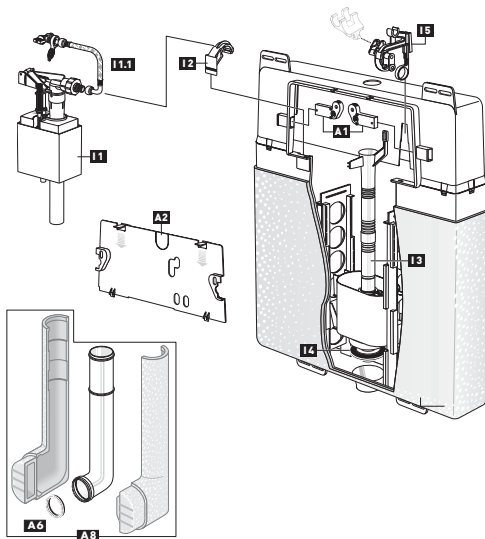
### Concealed flushing cistern 190.XXX

From 1997 (Mod. 190.000)

From 1999 to 2003 (Mod. 190.0400)

For start/stop flush

Item No.	Ident	Pos.	Designation	Design
710-7986	363802	A 1	Retaining tabs	1 pair
714-1346	239337	A 2	Cover plate	
711-1192	352277	A 6	Rubber lip seal	for flush pipe elbow
714-0658	366307	A 8	Flush pipe elbow	with insulation
710-8590	243292	I 1	Universal filling valve	
711-2106	363814	I 1.1	Connecting tube	without corner valve
712-7007	363823	I 2	Filling valve retainer	
714-1343	239336	I 3	Outlet valve with gasket	complete
715-0004	351517	I 4	Valve gasket	
714-1389	234116	I 5	Bearing bracket	with setting lever

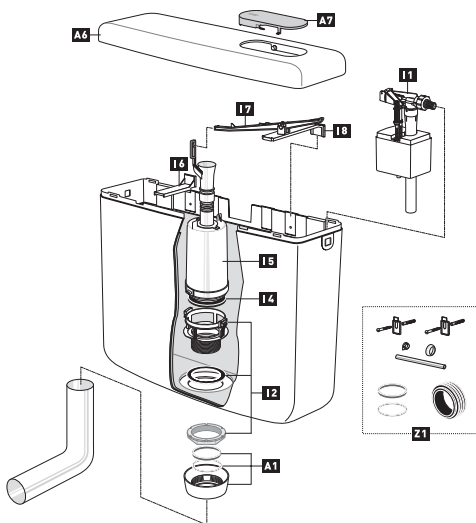


### Concealed flushing cistern 192.0400

From 2003

For dual flush or start-stop flush

Item No.	Ident	Pos.	Designation	Design
710-7986	363802	A 1	Retaining tabs	1 pair
714-1346	239337	A 2	Cover plate	
711-1192	352277	A 6	Rubber lip seal	for flush pipe elbow
714-0658	366307	A 8	Flush pipe elbow	with insulation
710-8590	243292	I 1	Universal filling valve	
711-2106	363814	I 1.1	Connecting tube	without corner valve
712-7007	363823	I 2	Filling valve retainer	
714-1343	239336	I 3	Outlet valve with gasket	complete
715-0004	351517	I 4	Valve gasket	
714-1345	239963	I 5	Bearing bracket	with setting lever and adapter for dual flush



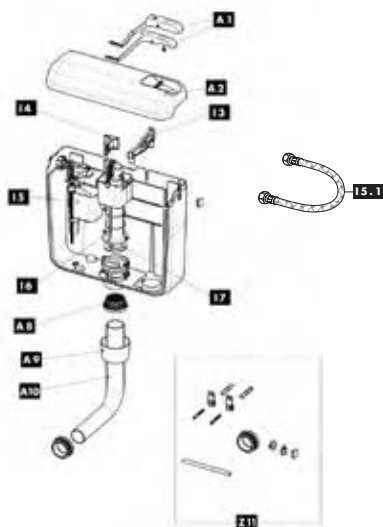
### Exposed flushing cistern 160.00XX (60.000)

From 1985 to 1989, P-IX 3369/I

From 1989, P-IX 3340/I

Item No.	Ident	Pos.	Designation	Colour	Design
710-1081	363776	A 1	Rosette	white	with gasket + abrasive ring
710-4034	251567	A 6	Flushing cistern cover	white	with function key
710-8202	228575	A 7	Function key	white	
710-8590	243292	I 1	Universal filling valve		
710-1646	251166	I 2	Valve seat		complete
715-0004	351517	I 4	Valve gasket		
710-4045	239201	I 5	Outlet valve with gasket		complete
712-2324	239331	I 6	Support bracket		
712-2323	241332	I 7	Actuation hebel		
712-2327	228580	I 8	Lever support		
710-0056	365135	Z 1	Service pack		

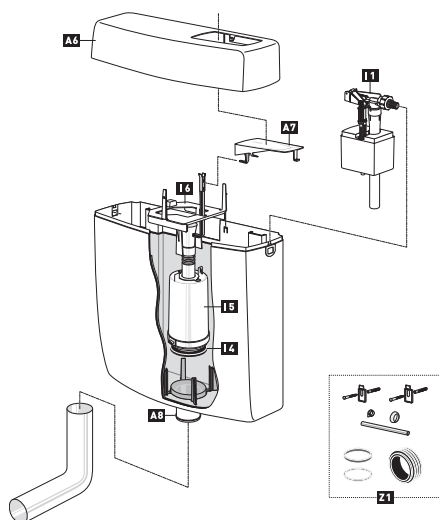
## Exposed flushing cistern 122.0001



Item No.	Ident	Pos.	Designation	Colour	Design
715-0503	243276	A 1	Function key	white	
715-0509	243278	A 2	Flushing cistern cover	white	
715-0514	243281	A 8	Flush pipe gasket		
715-0506	243277	A 9	Rosette	white	
715-0516	243283	A 10	Flush pipe elbow	white	
715-0515	243282	I 3	Filling valve retainer 1		
715-0524	243285	I 4	Filling valve retainer 2		
710-8590	243292	I 5	Universal filling valve		
714-0230	365138	I 5.1	Connecting tube		without corner valve
715-0513	243280	I 6	Outlet valve with gasket		valve complete
715-0502	243275	I 7	Outlet valve gasket		
715-0519	242859	Z 11	Service pack		

## Exposed flushing cistern 170.00XX

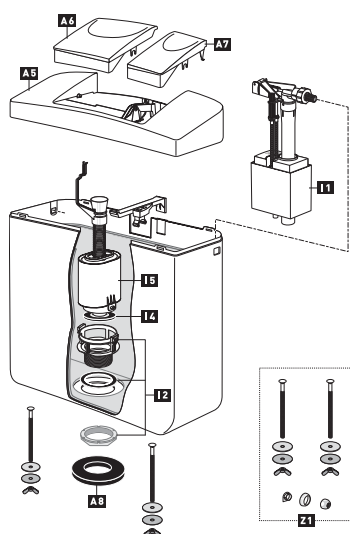
From 1993, P-IX 3622/I



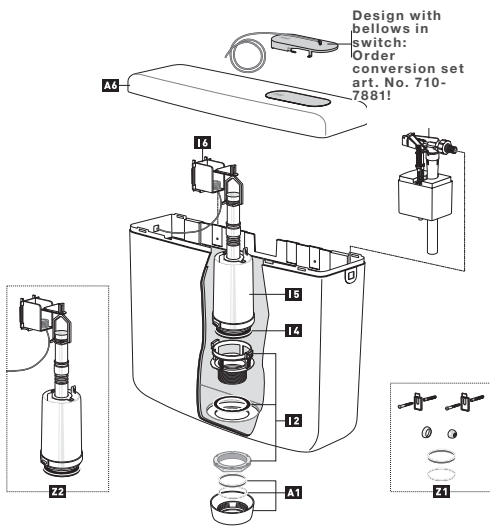
Item No.	Ident	Pos.	Designation	Colour	Design
710-6854	236918	A 6	Flushing cistern cover	white	with function key
710-6843	234125	A 7	Function key	white	with lever
711-1026	363808	A 8	O-ring		for outlet connection
710-8590	243292	I 1	Universal filling valve		
715-0004	351517	I 4	Valve gasket		
710-6840	251565	I 5	Outlet valve with gasket		complete
712-3035	239332	I 6	Bridge		
710-0056	365135	Z 1	Service pack		

## Exposed flushing cistern 152.21XX (50.303)

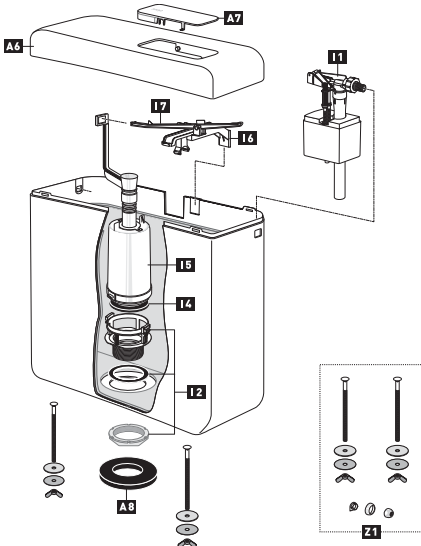
Attached to WC ceramics



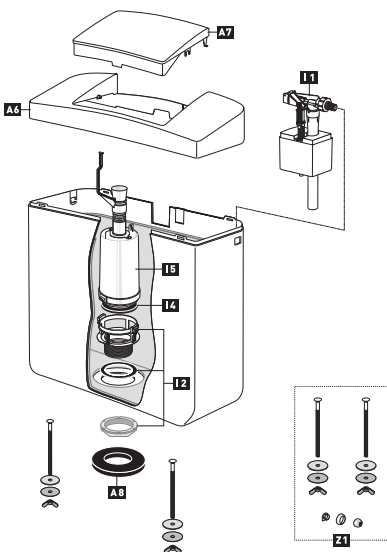
Item No.	Ident	Pos.	Designation	Colour	Design
710-8380	239212	A 5	Flushing cistern cover	white	with function key
710-8378	239202	A 6	Function key	white	big
710-8379	239206	A 7	Function key	white	small
712-2375	360816	A 8	Cellular rubber gasket		110 x 72 x 15mm
710-8590	243292	I 1	Universal filling valve		
710-1646	251166	I 2	Valve seat		complete
715-0004	351517	I 4	Valve gasket		
710-8382	239297	I 5	Outlet valve with gasket		complete
712-3246	363819	Z 1	Service pack		

**Exposed flushing cistern 164.1701 (64.090)****For servo-mechanical remote control**

Item No.	Ident	Pos.	Designation	Colour	Design
710-1081	363776	A 1	Rosette	white	with gasket + abrasive ring
710-4034	251567	A 6	Flushing cistern cover	white	with function key
710-8590	243292	I 1	Universal filling valve		
710-1646	251166	I 2	Valve seat		complete
715-0004	351517	I 4	Valve gasket		
710-3007	363780	I 5	Outlet valve with gasket		complete
712-3329	363757	I 6	Bellows bracket		complete
712-3841	366306	Z 1	Service pack		
710-7881	361872	Z 2	Conversion set for design with bellows		

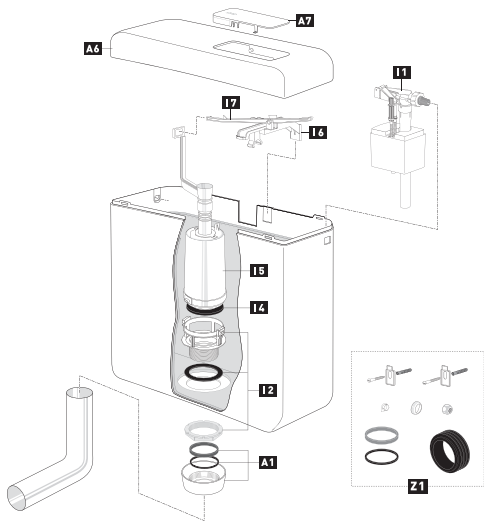
**Exposed flushing cistern 150.23XX (50.300) and cistern 150.21XX (50.303)****Attached to WC ceramics**

Item No.	Ident	Pos.	Designation	Colour	Design
710-4485	235138	A 6	Flushing cistern cover	white	with function key
710-3821	234163	A 7	Function key	white	
712-2375	360816	A 8	Cellular rubber gasket		110 x 72 x 15mm
710-8590	243292	I 1	Universal filling valve		
710-1646	251166	I 2	Valve seat		complete
715-0004	351517	I 4	Valve gasket		
710-4805	249826	I 5	Outlet valve with gasket		complete
712-2333	241287	I 6	Lever support		
712-2323	241332	I 7	Actuation hebel		
712-3246	363819	Z 1	Service pack		

**Exposed flushing cistern 155.23XX (55.300) and cistern 155.21XX (55.303)****From 1996****Attached to WC ceramics**

Item No.	Ident	Pos.	Designation	Colour	Design
710-7927	239794	A 6	Flushing cistern cover	white	with function key
710-8679	239795	A 7	Function key	white	
712-2375	360816	A 8	Cellular rubber gasket		110 x 72 x 15mm
710-8590	243292	I 1	Universal filling valve		
710-1646	251166	I 2	Valve seat		complete
715-0004	351517	I 4	Valve gasket		
710-7970	363799	I 5	Outlet valve with gasket		complete
712-2333	241287	I 6	Lever support		
712-3246	363819	Z 1	Service pack		





Exposed flushing cistern 150.1901 (50.000)

Low-hung

Item No.	Ident	Pos.	Designation	Colour	Design
710-1081	363776	A 1	Rosette	white	with gasket + abrasive ring
710-4485	235138	A 6	Flushing cistern cover	white	with function key
710-3821	234163	A 7	Function key	white	
710-8590	243292	I 1	Universal filling valve		
710-1646	251166	I 2	Valve seat		complete
715-0004	351517	I 4	Valve gasket		
710-4805	249826	I 5	Outlet valve with gasket		complete
712-2333	241287	I 6	Lever support		
712-2323	241332	I 7	Actuation hebel		
712-3256	363820	Z 1	Service pack		

Spare parts for flushing cisterns / Other spare parts



Collar sets

- Inlet collar set  $\phi$  45 mm
- Drain collar set  $\phi$  110 mm
- With rubber lip collar set
- Collar bushing
- White cover caps

Item No.	Ident	Designation	Design
472-2890	(227553)	PE collar set	DN 100, L=190 mm
470-1941	(362446)	PE collar set	DN 100, L=260 mm (inc. bushing)

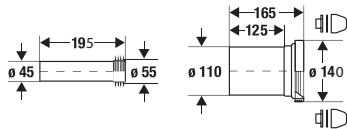


Collar sets

- Inlet collar set  $\phi$  45 mm
- Drain collar set DN 90, with seal
- With rubber lip collar set
- Collar bushing
- White cover caps

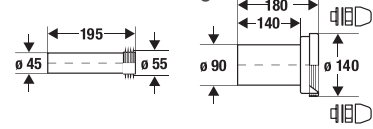
Item No.	Ident	Designation	Design
470-4654	(328537)	PE collar set	DN 90, L=190 mm
470-6665	(357937)	PE collar set	DN 90, L=260 mm (incl. bushing)

Technical drawing



Art. Nr.: 472-2890  
Ident: 227553  
Weight: 0,5 kg  
Packaging: 1 pc

Technical drawing



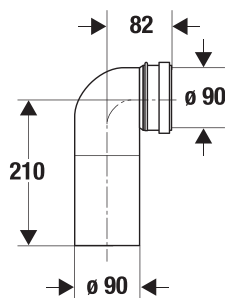
Art. Nr.: 470-4654  
Ident: 328537  
Weight: 0,41 kg  
Packaging: 1 pc

Elbow DN 90



- Waste water connection according to DN 90, made of PE
- For connection to a drain pipe DN 90 with plug-in sleeve
- For butt welding of drain pipes and fittings DN 90, made of polyethylene

Technical drawing



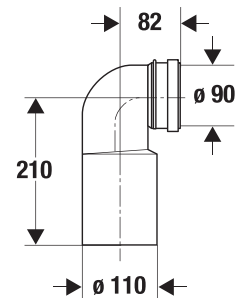
Art. Nr.: 471-1476  
Ident: 362027  
Weight: 0,36 kg  
Packaging: 25 pcs/box  
150 pcs/pallet (1,2 x 0,8 m)

Elbow DN 100



- Waste water connection bend according to DN 100
- For connection to a drain pipe DN 100 with plug-in sleeve
- For butt welding of drain pipes and fittings DN 100, made of polyethylene

Technical drawing



Art. Nr.: 471-0940  
Ident: 382065  
Weight: 0,41 kg  
Packaging: 25 pcs/box  
150 pcs/pallet (1,2 x 0,8 m)



**Seal 90/100**

- Gasket for waste water connection bend

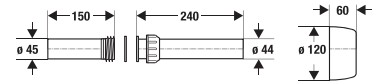
Art. Nr.: **711-1373**  
 Ident: 366290  
 Weight: 0,02 kg  
 Packaging: 100 pcs/box  
 1.000 pcs/pallet (1,2 x 0,8 m)



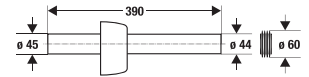
**Collar sets**

- Inlet collar set, white, for floor WC  
 - For the connection of floor WC to concealed flushing cisterns

**Technical drawing**



Art. Nr.: **470-8078**  
 Ident: 362028  
 Weight: 0,27 kg  
 Packaging: 30 pcs/box  
 180 pcs/pallet (1,2 x 0,8 m)



**Set for acoustic insulations (toilet, bidet)**

Art. Nr.: **717-2820**  
 Ident: 383588  
 Weight: 0,08 kg  
 Packaging: 1 pc



**Set for acoustic insulations (wash basin)**

Art. Nr.: **717-1300**  
 Ident: 383589  
 Weight: 0,35 kg  
 Packaging: 25 pcs/box  
 500 pcs/pallet (1,2 x 0,8 m)



**Set for acoustic insulations (urinal)**

Art. Nr.: **717-3510**  
 Ident: 383590  
 Weight: 0,16 kg  
 Packaging: 25 pcs/box  
 500 pcs/pallet (1,2 x 0,8 m)



**Universal filling valve**

Art. Nr.: **710-8590**  
 Ident: 243292  
 Weight: 0,48 kg  
 Packaging: 10 pcs/box  
 180 pcs/pallet (1,2 x 0,8 m)



**Filling valve**

Art. Nr.: **710-0010**  
 Ident: 359798  
 Weight: 0,3 kg  
 Packaging: 10 pcs/box  
 320 pcs/pallet (1,2 x 0,8 m)

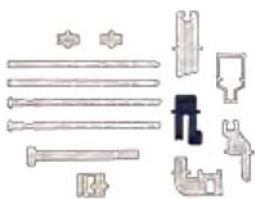


**Gasket kit for outlet valves**

Item No.	Ident	Designation	Design
714-7064	(364321)	Gasket kit f	or outlet valve
711-0922	(363806)	Cup seal gasket	for concealed push button hand switch

Art. Nr.: **714-7064**  
 Ident: 364321  
 Weight: 0,01 kg  
 Packaging: 200 pcs/box

**Replacement accessories**



Item No.	Ident	Designation	Design
712-7398	(228582)	Replacement accessories	for all flushing plates without Dots, Dots Duo, Ovate, Ovate Duo, Circle, Caro
715-0810	(323299)	Replacement accessories	for flushing plates Dots, Dots Duo, Ovate, Ovate Duo, Circle, Caro

Art. Nr.: **712-7398**  
 Ident: 228582  
 Weight: 0,11 kg  
 Packaging: 100 pcs/box

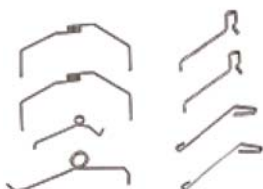
**Extension kit**



- For flushing plates:
- Tecta, Vista, Gala, Viva, Riva, Riva Mini, Riva Duo, Riva Duo Mini, Point, Point Duo,
- Targa, Onda, Line
- For constructions over 90–180 mm

Art. Nr.: **590-2698**  
 Ident: 363978  
 Weight: 0,11 kg  
 Packaging: 1 pc

**Replacement spring**



Item No.	Ident	Designation	Design
714-7061	(361658)	Springs	for all flushing plates without Dots, Dots Duo, Ovate, Ovate Duo, Circle, Caro
715-0811	(323303)	Springs	only for flushing plates Dots, Dots Duo, Ovate, Ovate Duo, Circle, Caro

Art. Nr.: **714-7061**  
 Ident: 361658  
 Weight: 0,01 kg  
 Packaging: 100 pcs/box

**Push set**



- For servo-mechanical remote control

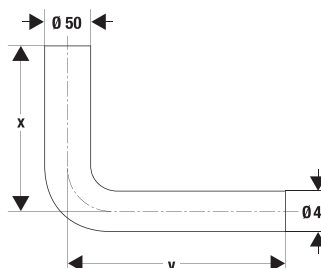
Art. Nr.: **712-3493**  
 Ident: 363822  
 Weight: 0,18 kg  
 Packaging: 20 pcs/box

**Flush pipe elbow**



- For low-hung flushing cistern, 90°, ø 50 x 44 mm
- Length of vertical legs: 190 mm (x)
- Length of horizontal legs: 210 mm (y)

**Technical drawing**



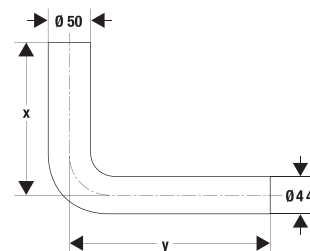
Art. Nr.: **470-0017**  
 Ident: 362447  
 Weight: 0,13 kg  
 Packaging: 40 pcs/box  
 320 psc/pallet (1,2 x 0,8 m)

**Flush pipe elbow**



- For low-hung flushing cistern, 90°, ø 50 x 44 mm
- Including flush pipe elbow flow control
- Length of vertical legs: 550 mm (x)
- Length of horizontal legs: 300 mm (y)

**Technical drawing**



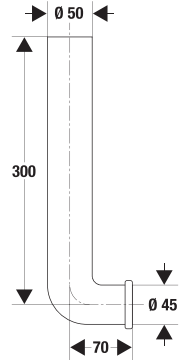
Art. Nr.: **472-2426**  
 Ident: 360320  
 Weight: 0,19 kg  
 Packaging: 50 pcs/box  
 200 psc/pallet (1,2 x 0,8 m)



#### Flush pipe elbow

- For concealed flushing cistern,
- $\varnothing$  50 x 45 mm
- Length: 300 x 70 mm
- With rubber lip seal

#### Technical drawing



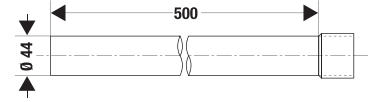
Art. Nr.: **472-2120**  
 Ident: 382059  
 Weight: 0,16 kg  
 Packaging: 50 pcs/box  
 500 psc/pallet (1,2 x 0,8 m)



#### Flush pipe elbow extension

- $\varnothing$  44mm, length 500 mm
- Length: 300 x 70 mm
- With moulded pipe collar
- With adhesive

#### Technical drawing



Art. Nr.: **470-0020**  
 Ident: 361350  
 Weight: 0,26 kg  
 Packaging: 50 pcs/box  
 500 psc/pallet (1,2 x 0,8 m)



#### Conversion kit for dual flush

- CONVERSION is possible with:
- Mod. 180.000
- Mod. 180.000 / Z
- Mod. 180.0400
- Mod. 180.0400 / Z
- CONVERSION is NOT possible with:
- Mod. 80.000
- Mod. 180.00 / N
- Conversion kit for mod. 180.XXX from Bj. 1996

Art. Nr.: **710-8294**  
 Ident: 361871  
 Weight: 0,34 kg  
 Packaging: 20 pcs/box  
 160 psc/pallet (1,2 x 0,8 m)



#### Conversion kit for remote control

- Without cover plate and push button
- Conversion kit for servo-mechanical remote control

Art. Nr.: **710-5506**  
 Ident: 363788  
 Weight: 0,32 kg  
 Packaging: 20 pcs/box  
 160 psc/pallet (1,2 x 0,8 m)



#### Conversion kit No. 715-0269

- For conversion from 182.0400 to 188.0400 before tiling

Art. Nr.: **715-0269**  
 Ident: 364322  
 Weight: 0,27 kg  
 Packaging: 14 pcs/box  
 112 psc/pallet (1,2 x 0,8 m)